



# SYNZEN

## PRODUCT DATASHEET

### ALUDRA | FPC Adhesive Antenna | 5G

#### Part Number / Name

- SZK-C-3L31
- ALUDRA

#### Features

- Constellation class ultra small
- Omnidirectional
- Dimensions: 44.0 x 15.0 x 0.2 (mm)

#### Applications

- Smart Meters
- Femtocells
- Remote Monitoring
- Smart Grid
- Asset Tracking
- Wearable Tech



## Contents

Introduction .....	3
General Specifications.....	4
Supported Band List.....	5
RF Characteristics.....	6
Performance .....	7
Radiated Performance – 2D.....	8
Radiated Performance – 3D at 650MHz .....	9
Radiated Performance – 3D at 880MHz .....	10
Radiated Performance – 3D at 1575MHz .....	11
Radiated Performance – 3D at 1880MHz .....	12
Radiated Performance – 3D at 2350MHz .....	13
Radiated Performance – 3D at 2600MHz .....	14
Radiated Performance – 3D at 3500MHz .....	15
Mechanical Drawing .....	16
Packaging .....	17
Environmental.....	18

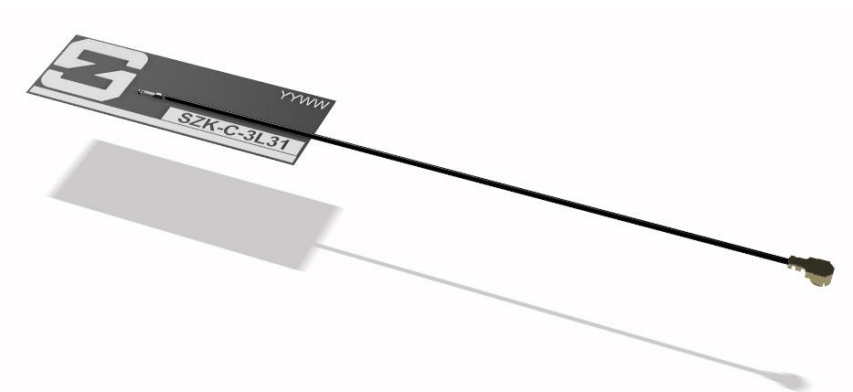
## Introduction

Introducing ALUDRA innovative antenna from Synzen: Ready to transform your wireless experience with unbridled speed and efficiency, Synzen's 5G FPC antenna is here to set new standards in 5G connectivity.

- For 5G and global cellular applications
- Simple integration, plug and be operational without designing on board antenna.
- Can be tuned to your device using additional Pi network.
- Alternate cable lengths and connectors available upon request.

## Typical Applications

- Asset Tracking
- Precision agriculture
- Smart cities
- Fleet management
- Personal Safety
- Emergency response
- Wearable Tech



## General Specifications

\*Alternate cable length/connectors are available upon request.

<b>Part Number</b>	SZK-C-3L31
<b>Name</b>	ALUDRA
<b>Dimensions</b>	44.0 x 15.0 x 0.2 (mm)
<b>Antenna Type</b>	FPC + Cable
<b>Weight</b>	<1.5g
<b>Connector</b>	MHF1
<b>Cable Length</b>	100mm
<b>Adhesive backing</b>	3M 868

## Electrical / RF Specifications\*

Note: All performance stated is measured 2mm ABS plastic, RF chokes used to prevent cable radiation.

Band	Frequency Range (MHz)	Avg Efficiency (%)	Peak Gain (dBi)	Impedance	Polarization
5G NR/4G LTE B5,8,12,13,14,17,18,20,26,27,28,29,71	617-960	>55	4.20	50Ω	Linear
5G NR/4G LTE B24	1525-1660.5	>65			
5G NR/4G LTE B1,2,3,4,9,23,35,39,66	1710-2200		4.44		
5G NR/4G LTE B40	2300-2400		4.83		
5G NR/4G LTE B7,38,41	2490-2690		4.69		
5G NR/4G LTE B22,42,43,48,77,78	3300-4200		5.30		

## Environmental Specifications

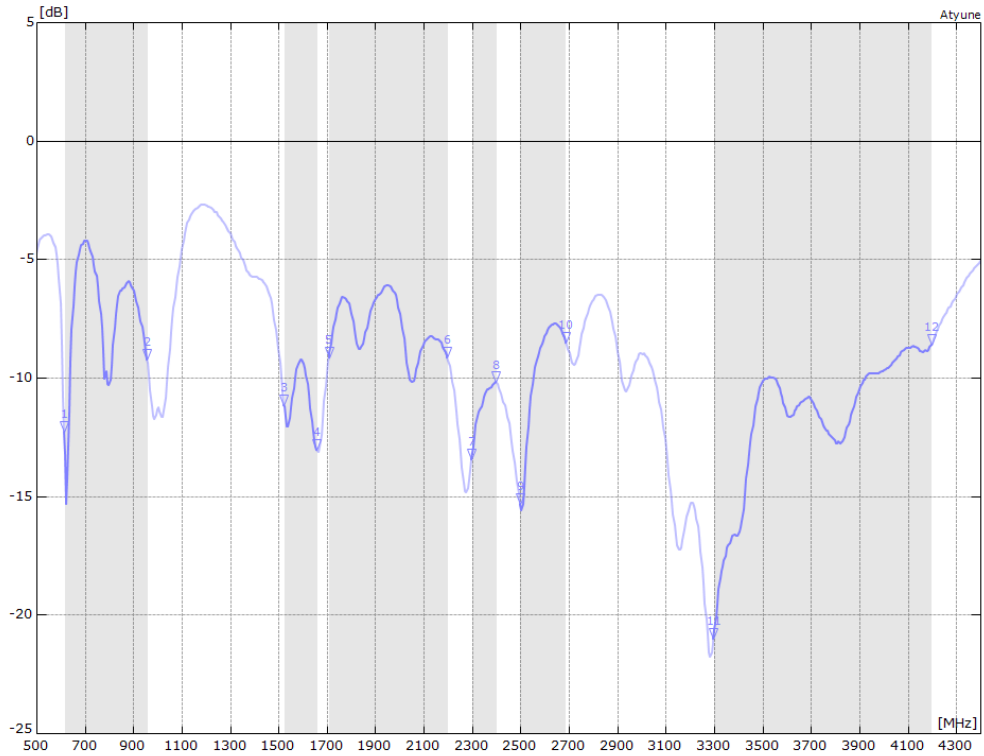
<b>Operational Temperature</b>	-40 to +85 (°C)
<b>Storage Temperature</b>	-10 to +40 (°C)
<b>Relative Humidity</b>	≤75%
<b>Moisture Sensitivity Level (MSL)</b>	NA
<b>RoHs &amp; REACH compliant</b>	Yes

## Supported Band List

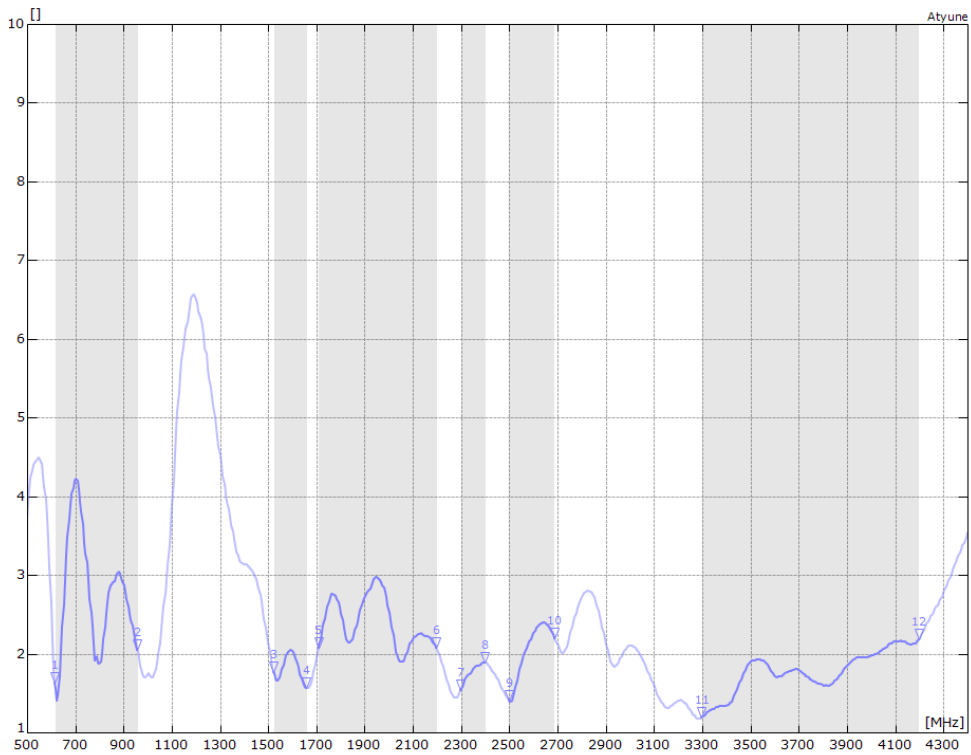
Band	Frequency Band	Uplink(MHz)	Downlink (MHz)	Supported
1	2100	1920-1980	2110-2170	YES
2	1900	1850-1910	1930-1990	YES
3	1800	1710-1785	1805-1880	YES
4	1700	1710-1755	2110-2155	YES
5	850	824-849	869-894	YES
7	2600	2500-2570	2620-2690	YES
8	900	880-915	925-960	YES
9		1749.9-1784.9	1844.9-1879.9	YES
10	1700	1710-1770	2110-2170	YES
11	1500	1427.9-1447.9	1475.9-1495.9	NO
12	700	699-716	729-746	YES
13	700	777-787	746-756	YES
14	700	788-798	758-768	YES
17	700	704-716	734-746	YES
18	850	815-830	860-875	YES
19	850	830-845	875-890	YES
20	800	832-862	791-821	YES
21	1500	1447.9-1462.9	1495.9-1510.9	NO
22	3500	3410-3490	3510-3590	YES
24	1600	1626.5-1660.5	1525-1559	YES
25	1900	1850-1915	1930-1995	YES
26	850	814-849	859-894	YES
27	800	807-824	852-869	YES
28	700	703-748	758-803	YES
29	700	N/A	717-728	YES
30	2300	2305-2315	2350-2360	YES
31		452.5-457.5	462.5-467.5	NO
32	1500	N/A	1452-1496	NO
33	2100		1900-1920	YES
34	2100		2010-2025	YES
35	1900		1850-1910	YES
36	1900		1930-1990	YES
37			1910-1930	YES
38	2600		2570-2620	YES
39	1900		1880-1920	YES
40	2300		2300-2400	YES
41	2500		2496-2690	YES
42	3500		3400-3600	YES
43	3700		3600-3800	YES
44	700		703-803	YES
45	1500		1447-1467	NO
46	5200		5150-5925	NO
47	5900		5855-5925	NO
48	3600		3550-3700	YES
50	1500		1430-1517	NO
51	1500		1427-1432	NO
65	2100	1920-2010	2110-2200	YES
66	1700	1710-1780	2110-2200	YES
67	700	N/A	738-758	YES
68	700	698-728	753-783	YES
69	2600	N/A	2570-2620	YES
70	2000	1695-1710	1995-2020	YES
71		663-698	617-652	YES
74			1427-1518	NO
77			3300-4200	YES
78			3300-3800	YES
79			4400-5000	NO
85		698-716	728-746	YES

## RF Characteristics

### S11

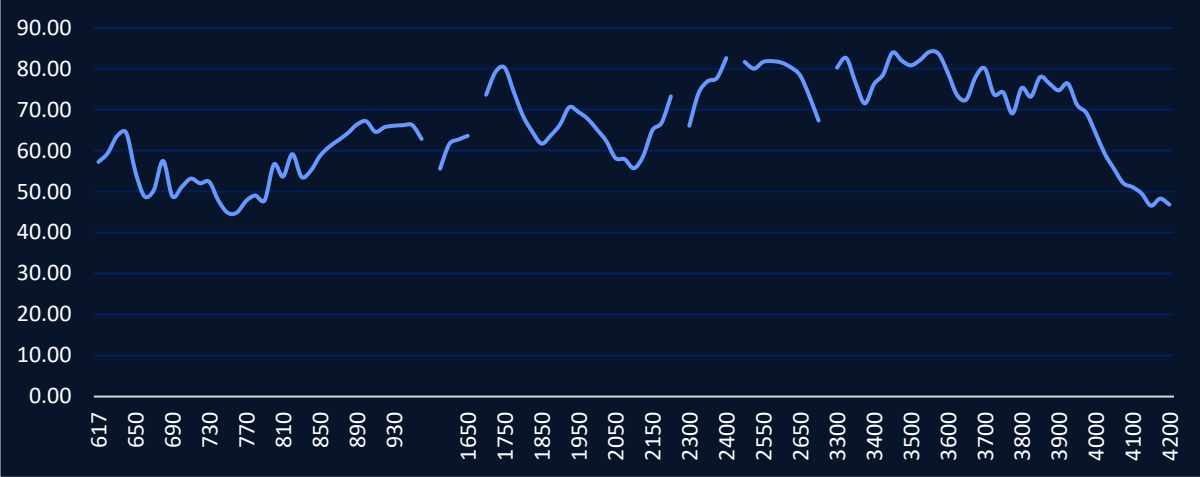


### VSWR

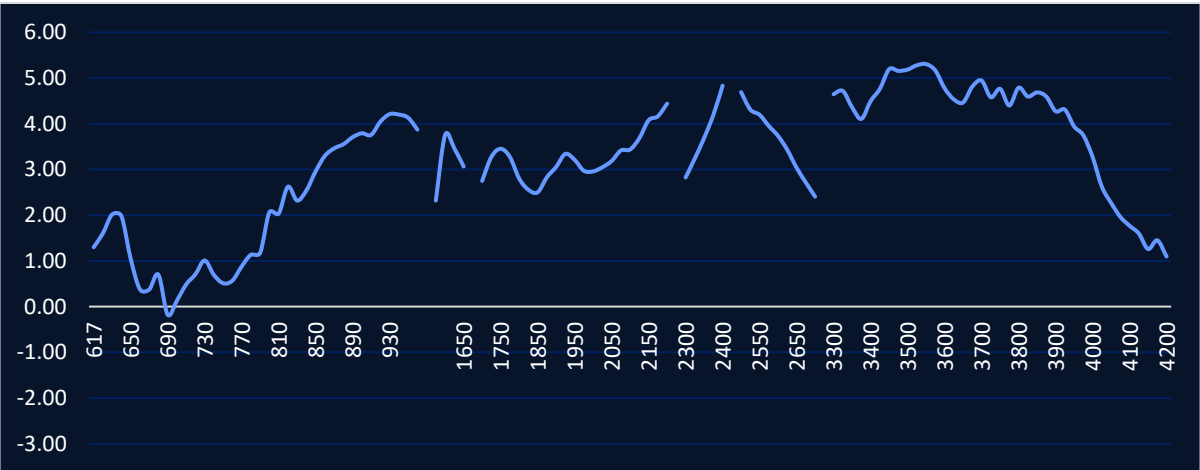


## Performance

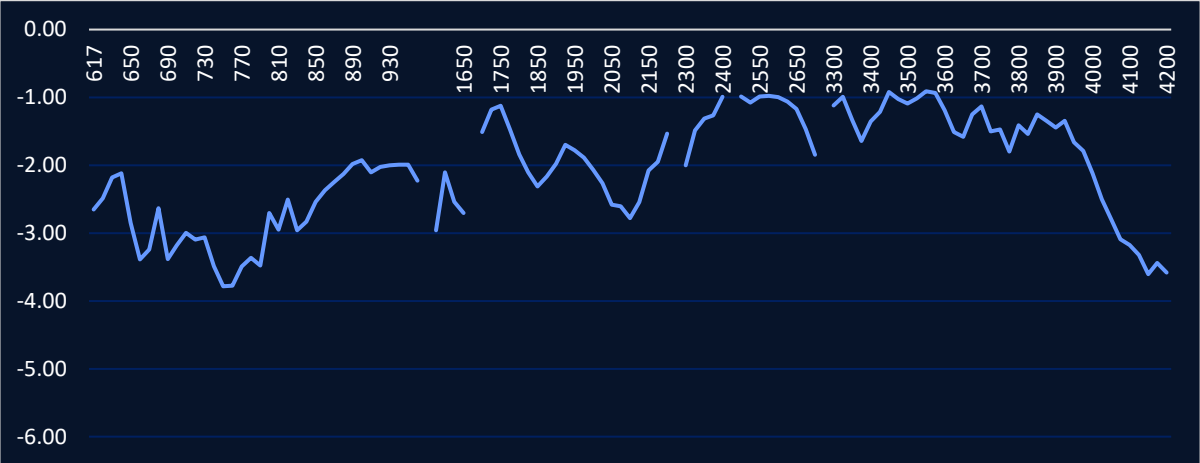
### Efficiency



### Peak Gain



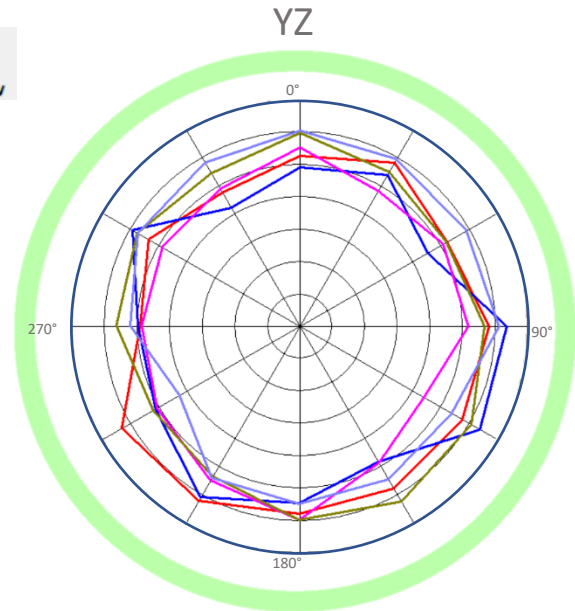
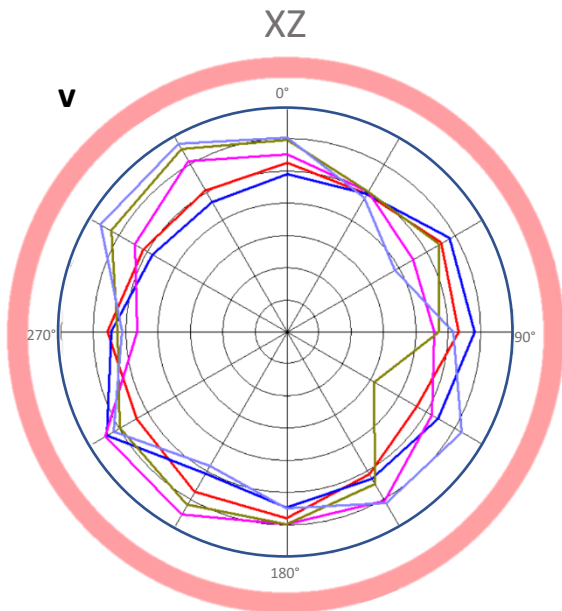
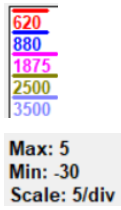
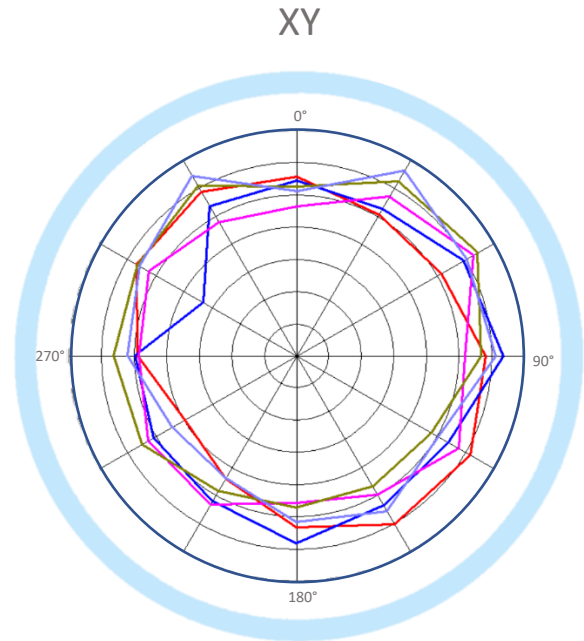
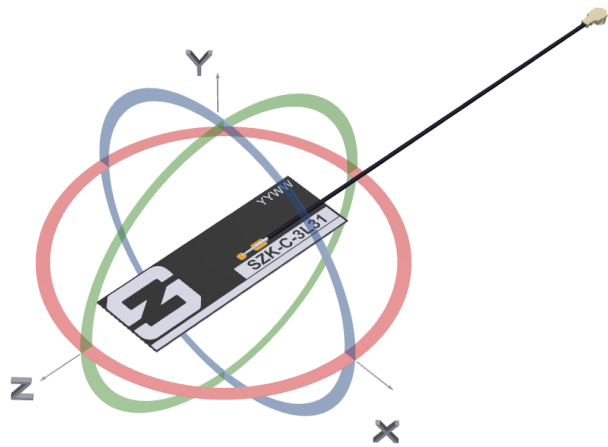
### Average Gain



## Radiated Performance – 2D

### 2D Polar Plot 617-4200MHz

The data shown was measured on a 2mm thick section of ABS.

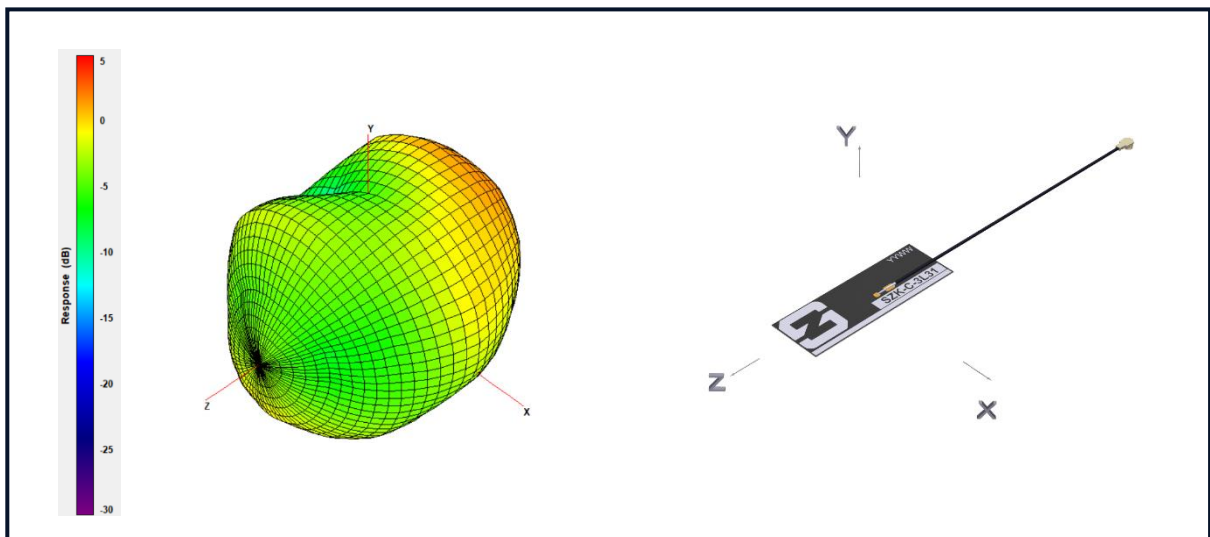
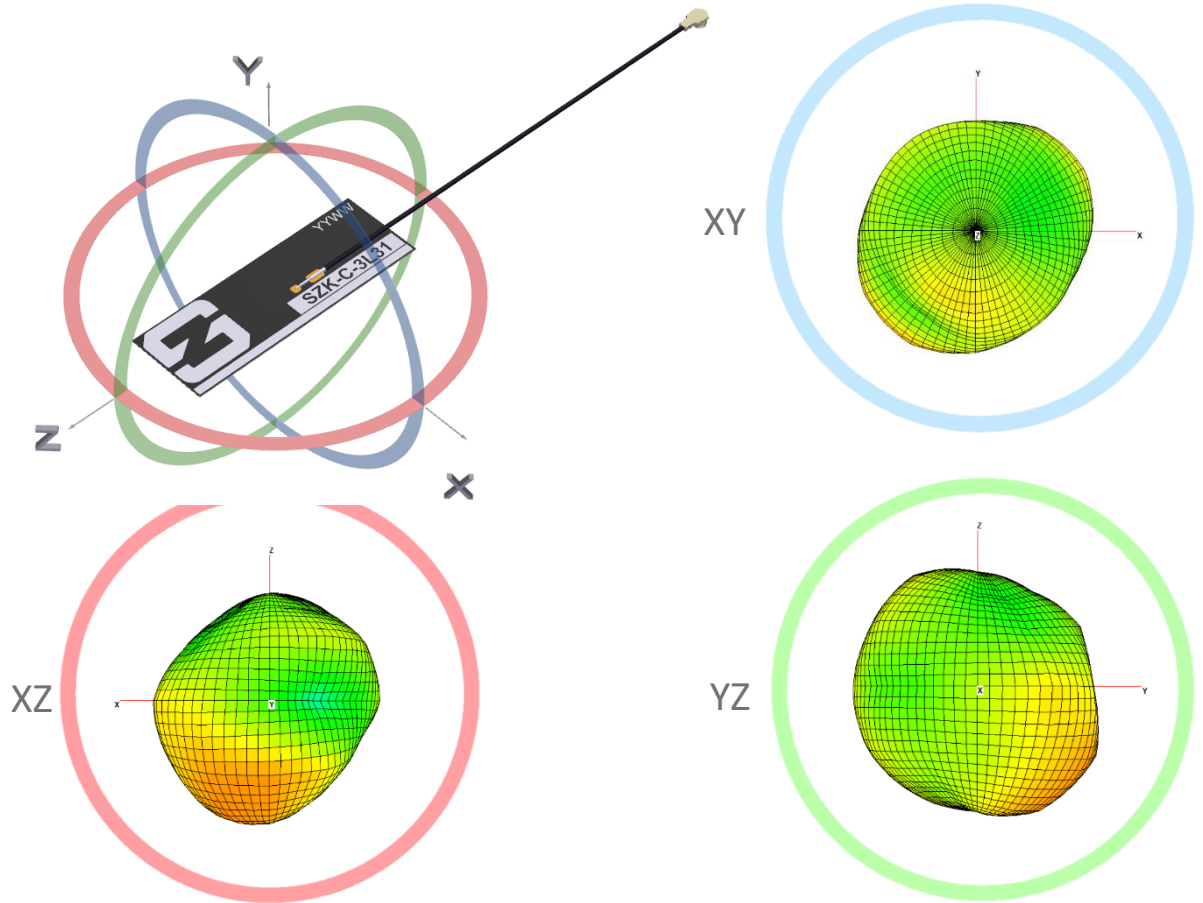






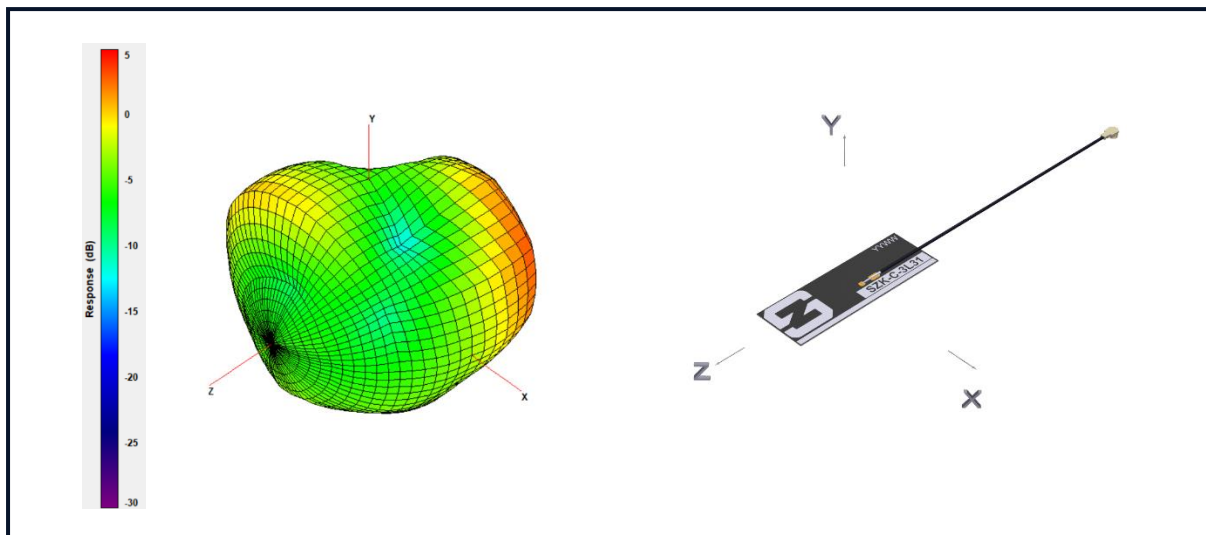
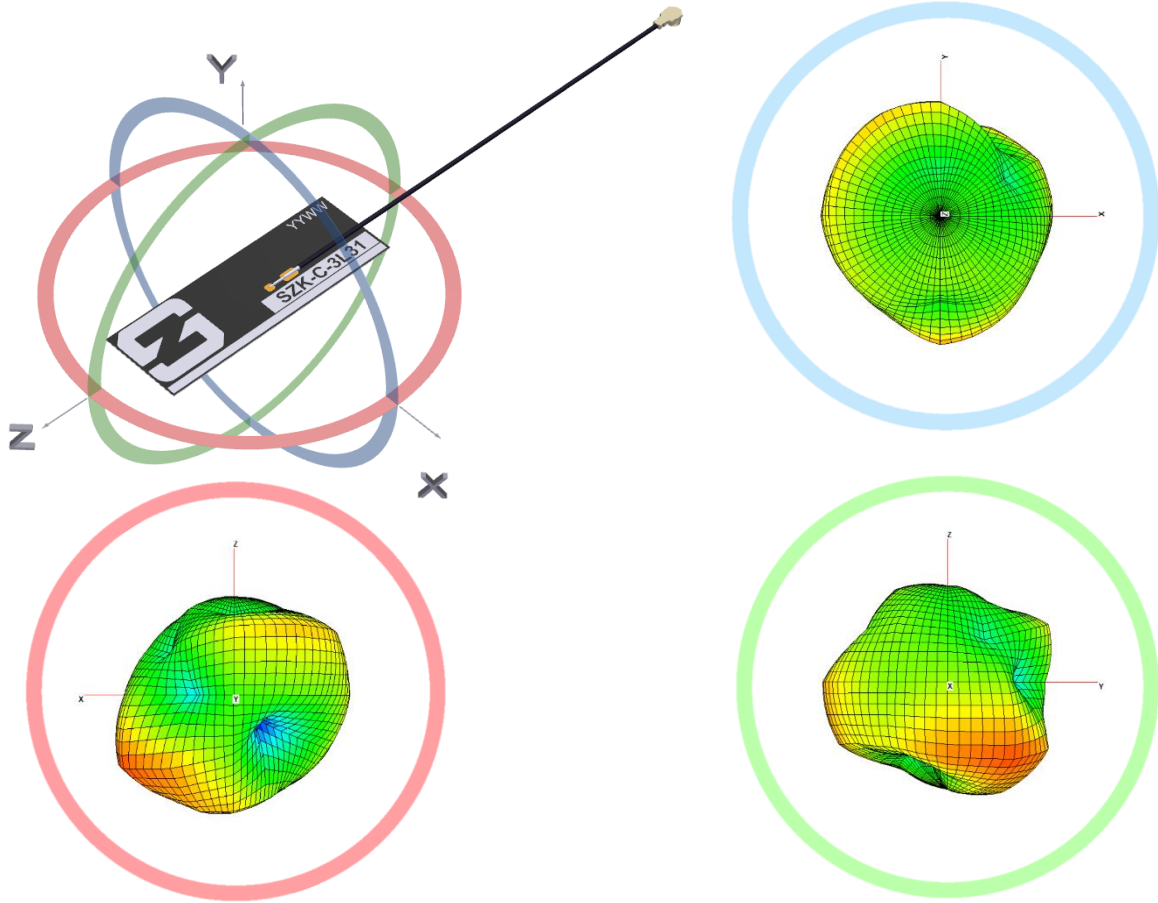
## Radiated Performance – 3D at 650MHz

The data shown was measured on a 2mm thick section of ABS.



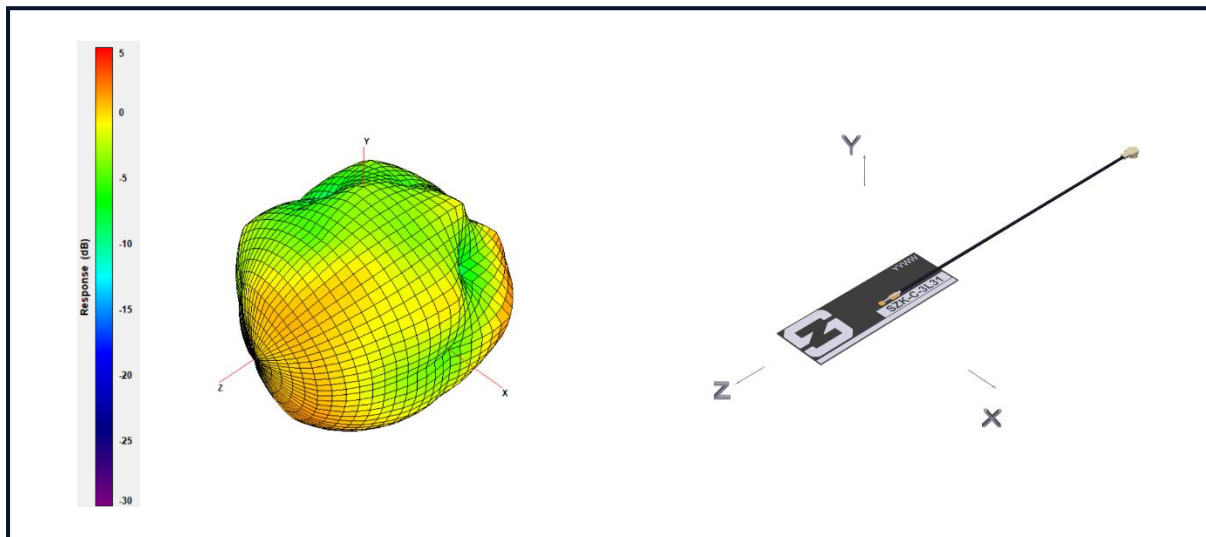
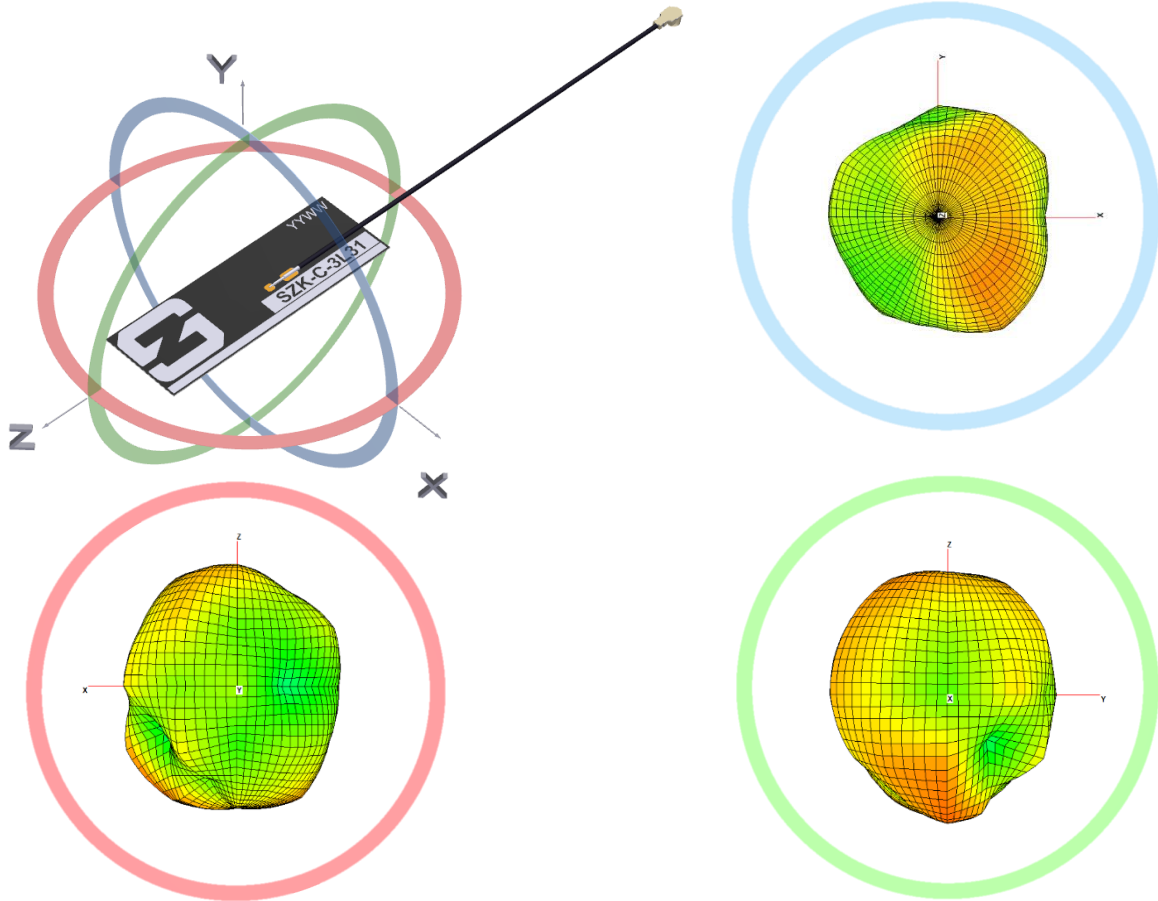
## Radiated Performance – 3D at 880MHz

The data shown was measured on a 2mm thick section of ABS.



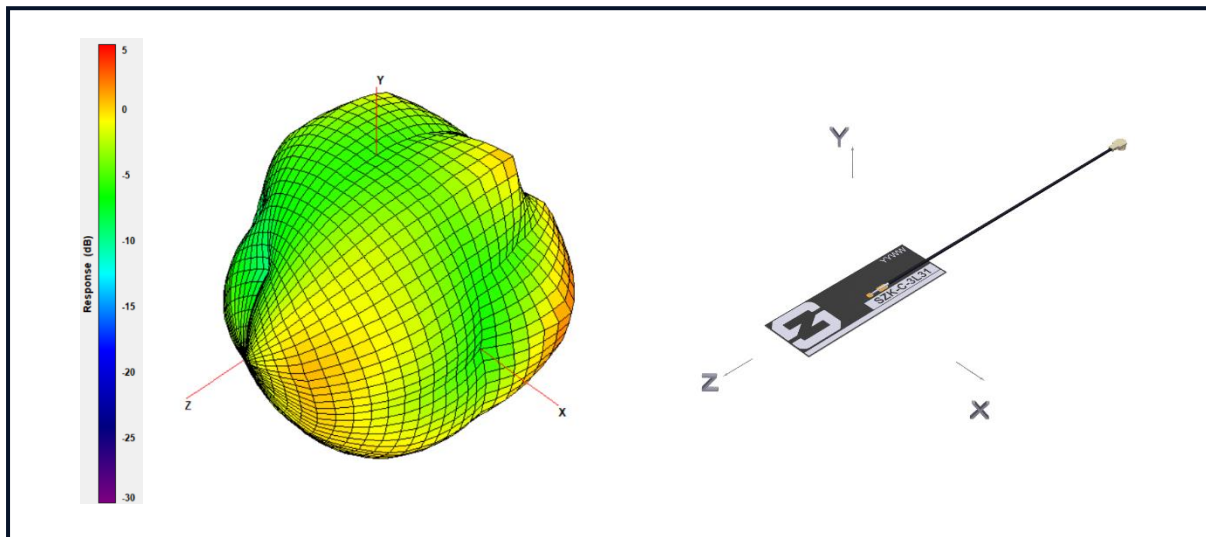
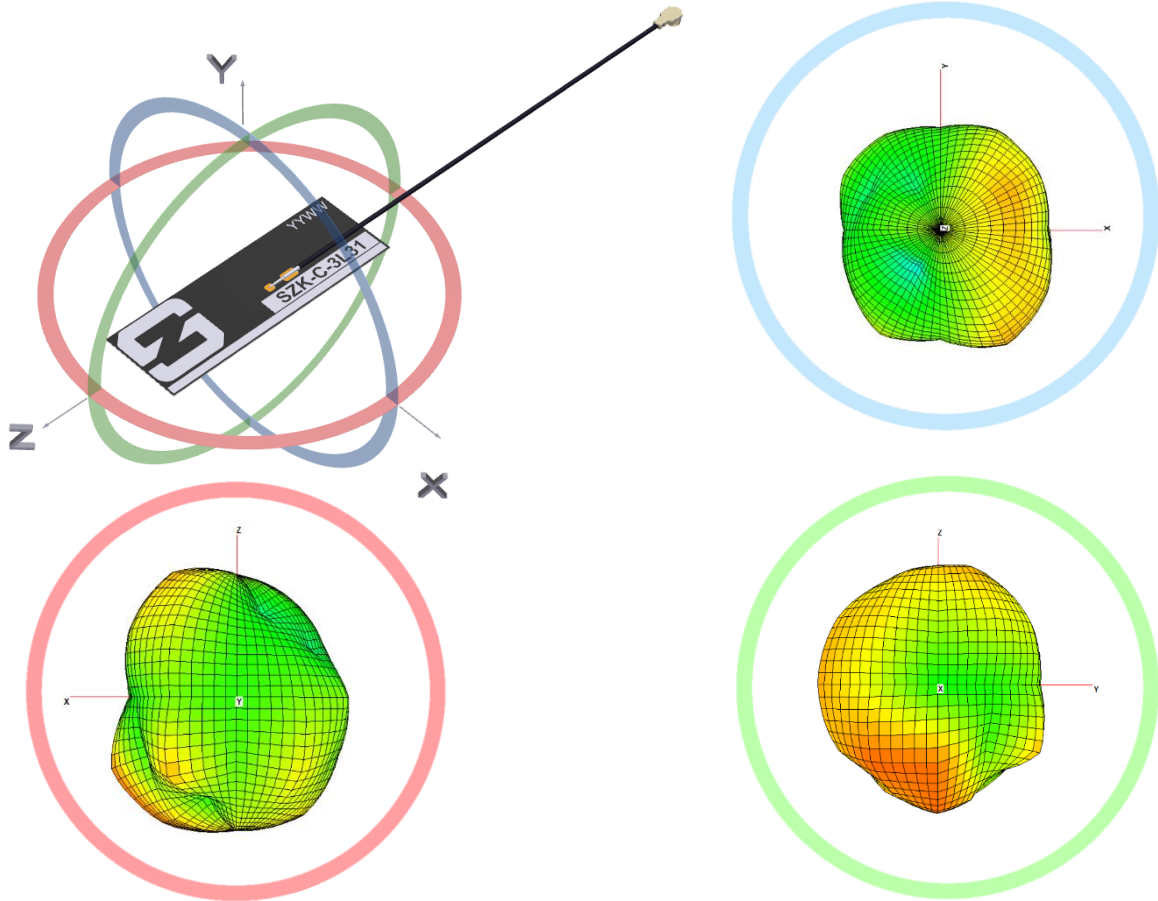
## Radiated Performance – 3D at 1575MHz

The data shown was measured on a 2mm thick section of ABS.



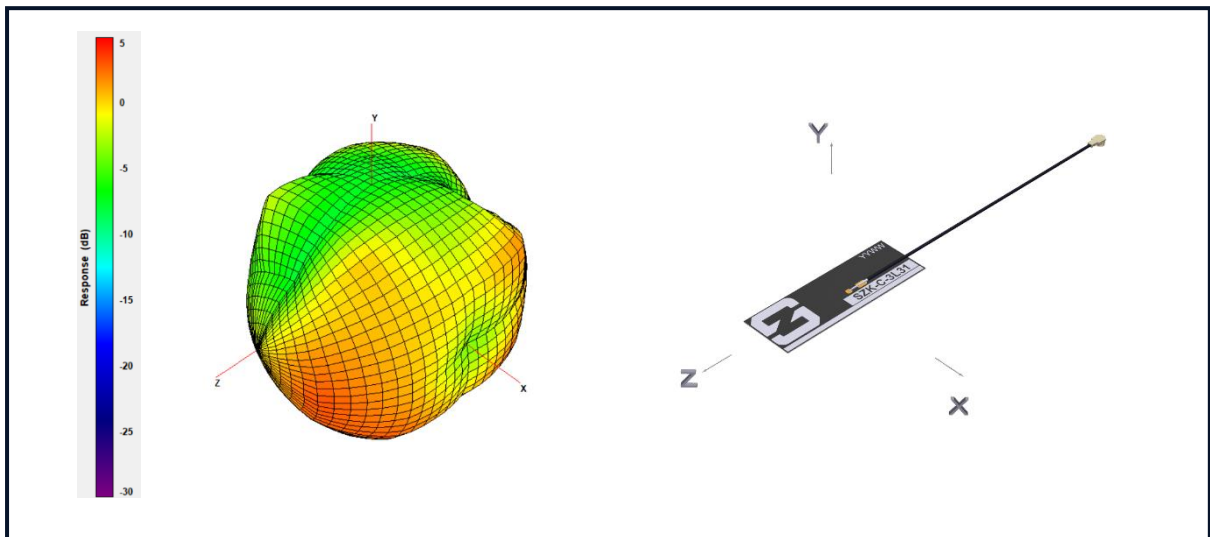
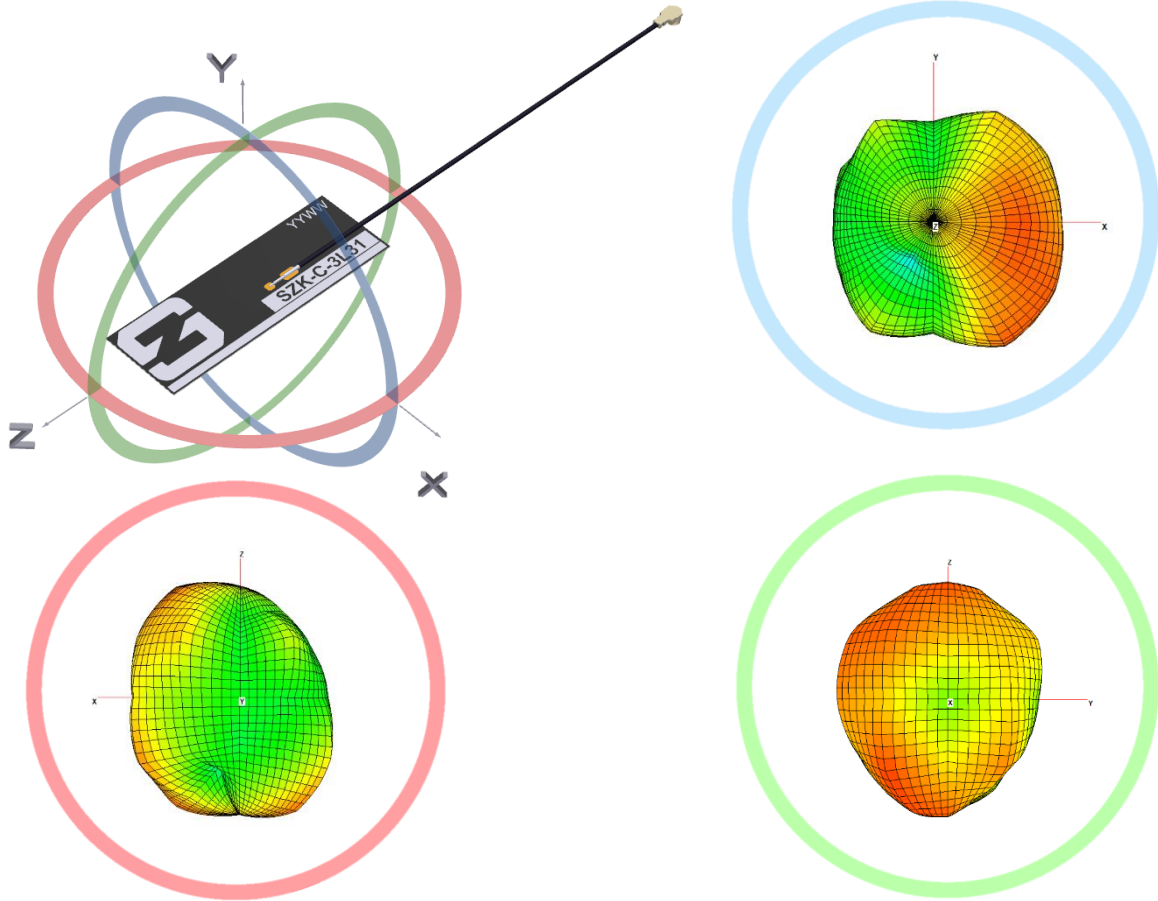
## Radiated Performance – 3D at 1880MHz

The data shown was measured on a 2mm thick section of ABS.



## Radiated Performance – 3D at 2350MHz

The data shown was measured on a 2mm thick section of ABS.

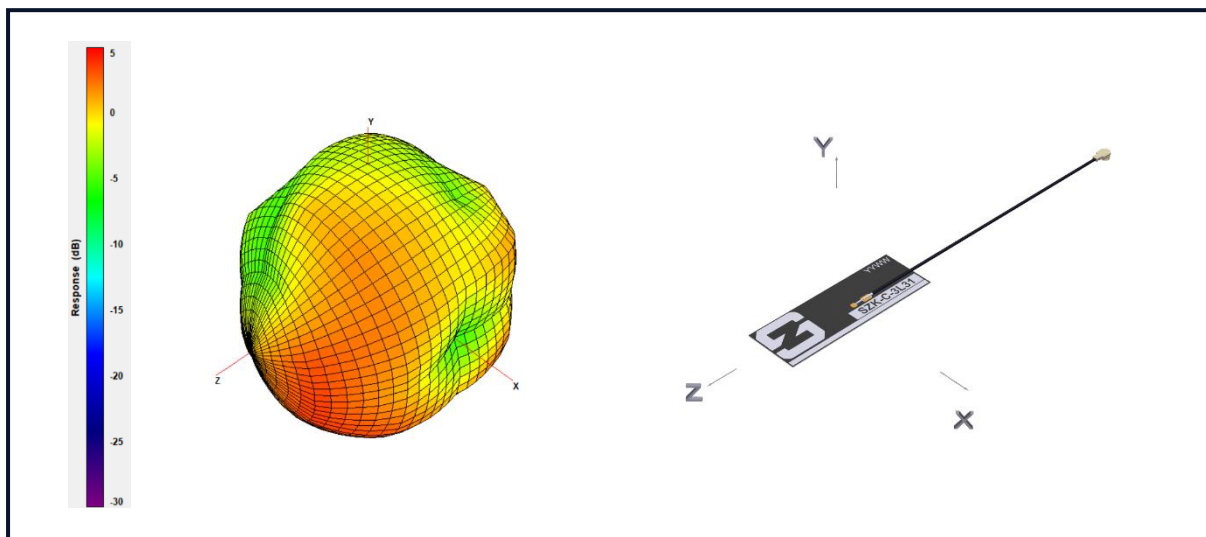
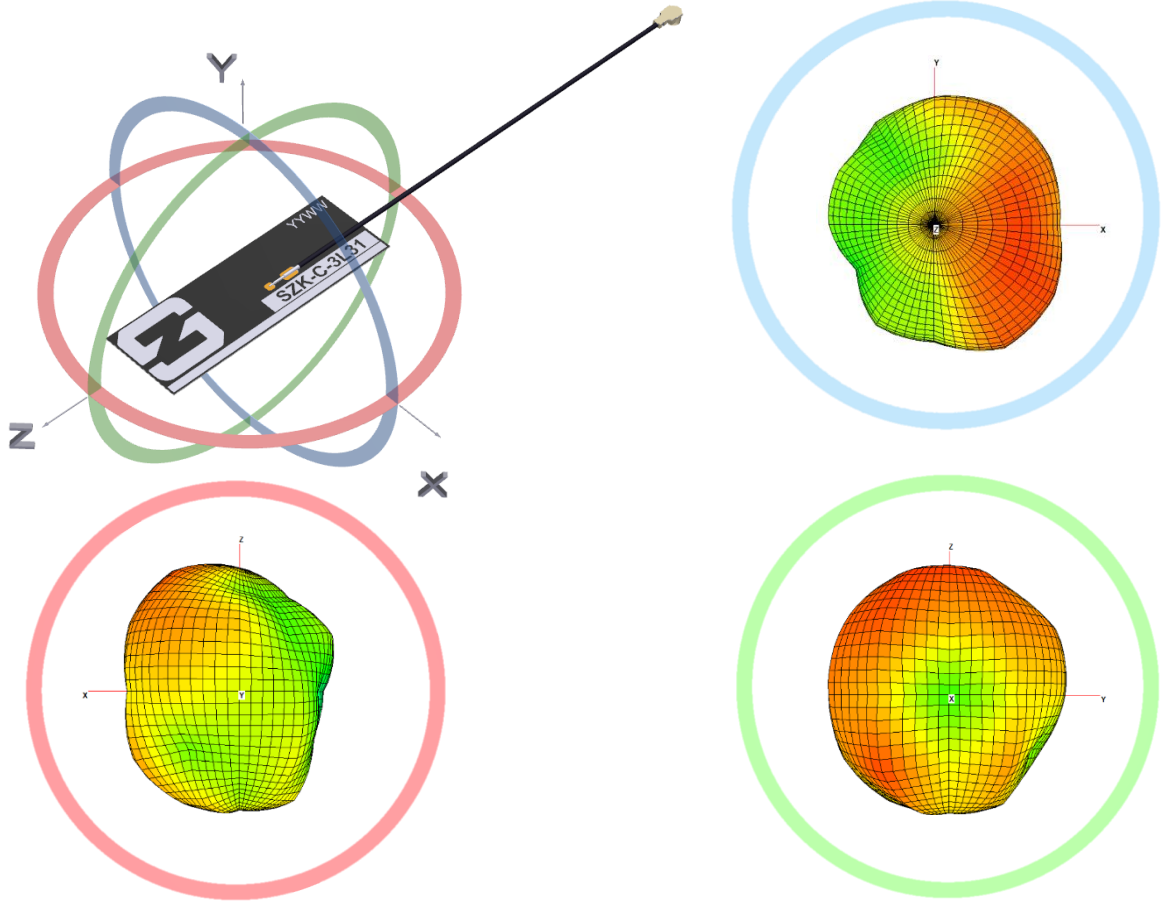






## Radiated Performance – 3D at 2600MHz

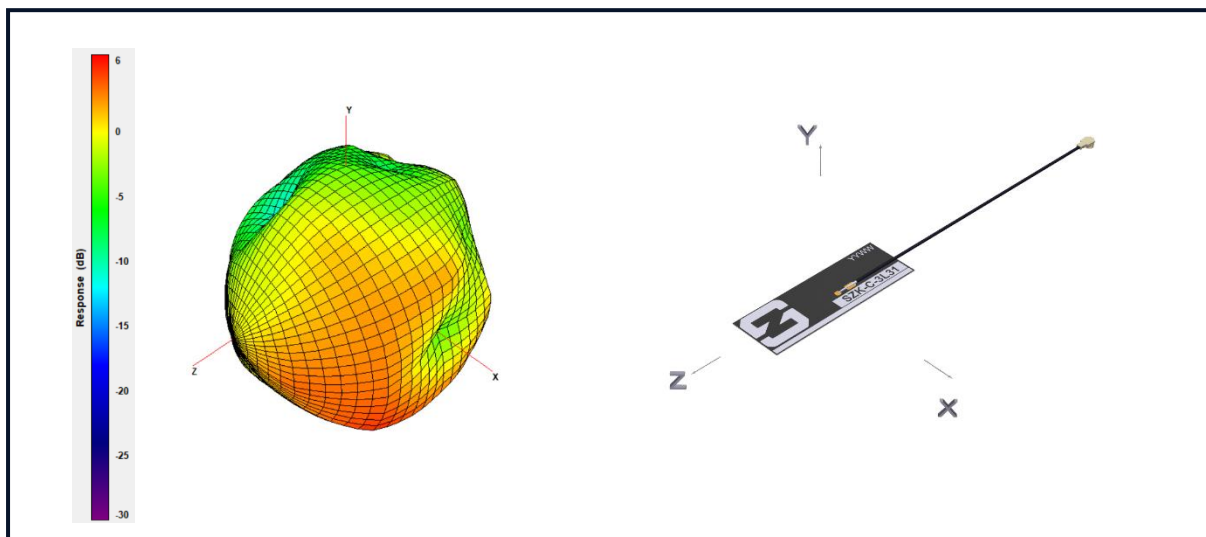
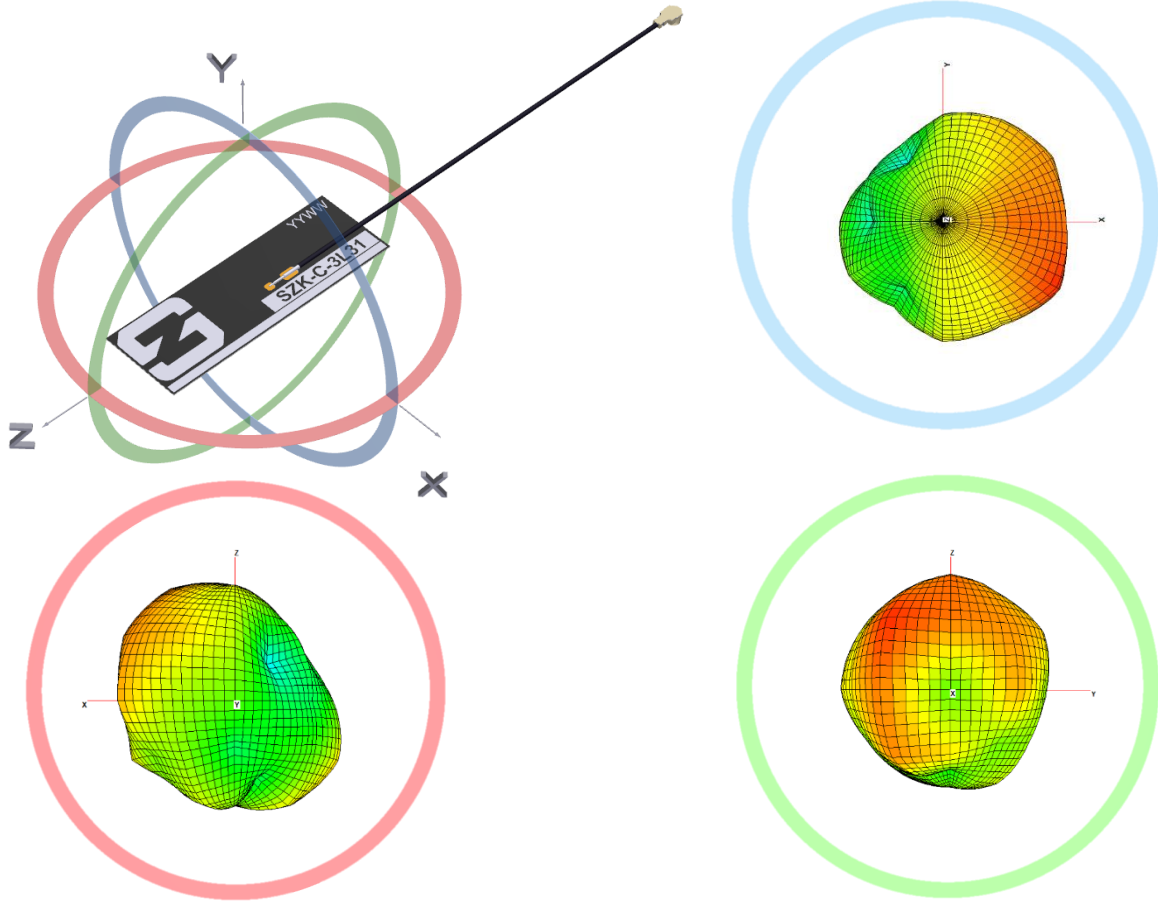
The data shown was measured on a 2mm thick section of ABS.



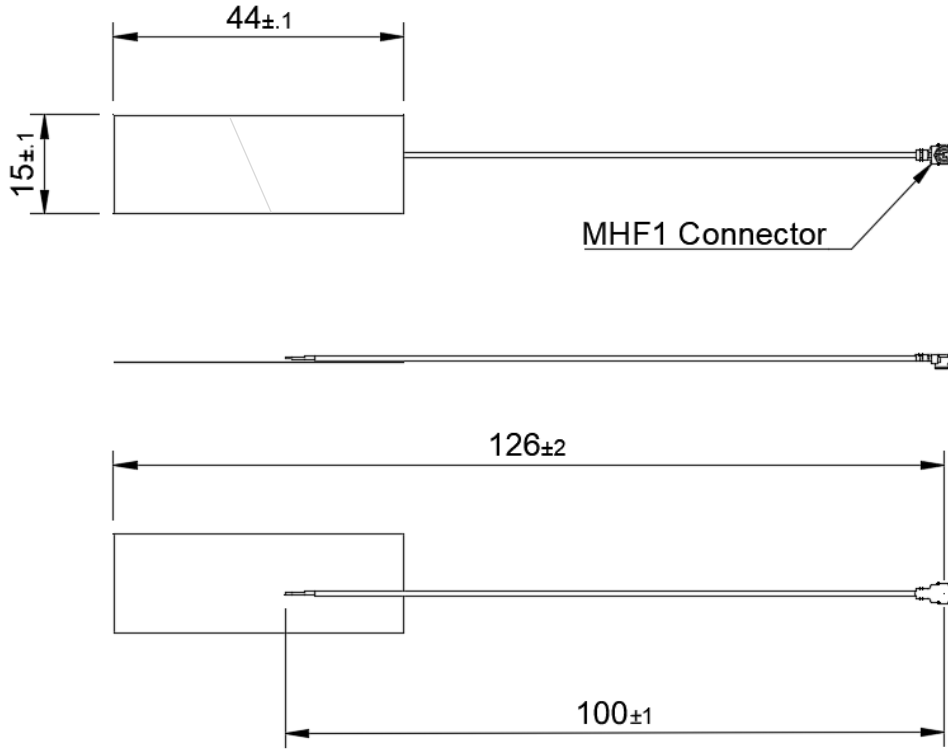


## Radiated Performance – 3D at 3500MHz

The data shown was measured on a 2mm thick section of ABS.



## Mechanical Drawing



ALL DIMENSIONS IN MM

### Adhesive Backing

The antenna comes with 3M 468 adhesive backing upon a PI Kapton substrate. An easy peel cut is on the back side for easy cover removal.



## Packaging



Antennas packed in PE bag (20 per bag)

Small bag dimensions: 28.5 x 9.5 (cm)

100pcs per larger PE bag with product label

Bag dimensions = 30 x 19 (cm)

### Label

 <b>SYNZEN</b> <small>SYNZEN PRECISION TECHNOLOGY</small>	
Part Number:	SZK-C-2U05 
Description :	Ultra-Wide-Band FPC antenna, 100mm cable, MHF1 connector
Name:	LUPI
Quantity:	1000
Date Code:	YYWW
A3, 4F, No. 58, Zhouzi St, Neihu Dist., Taipei City, 11493, Taiwan Tel: +886 (02) 2659 8030 www.synzen.com.tw	

### **Material Regulation**

The antenna has been tested to conform to RoHS requirements. A certificate of conformance is available upon request.



Synzen Precision Technology Ltd makes no warranties based on the accuracy or completeness of the contents of this document and reserves the right to make changes to specifications and product descriptions at any time without notice. Synzen reserves all rights to this document and the information contained herein. Reproduction use or disclosure to third parties without express permission is strictly prohibited.