



SYNZEN

PRODUCT DATASHEET

IO | 5150-5850MHz DUAL POLARIZATION PANEL | Wi-Fi

Part Number / Name

- SZW-N-3W19
- IO

Description

- 5150-5850MHz Panel Mount V/H Dual polarization, 12dBi, 2 x SMA Female Connectors

Features

- High Gain – 12dBi
- ABS
- Dimensions: 207 x 178 x 46 (mm)
- Dual Polarity feed
- MIMO – Multiple Input and Multiple Output





Contents

Introduction	3
General.....	4
Specifications	4
Mechanical.....	5
Antenna Pinout	5
Evaluation Kit	5

Introduction

Introducing the Synzens IO, a high-performance panel antenna meticulously crafted for exceptional functionality, tailored for demanding environments, and boasting an elegant, low-profile design. The IO antenna delivers an impressive peak gain of 12dBi, all within a remarkably compact 207 x 178mm frame that's ruggedized to endure any environmental challenge.

Operating seamlessly across the 5150 to 5850MHz spectrum, the IO is the perfect solution for point-to-point applications where form factor is of utmost importance. With a horizontal and vertical beamwidth of 60 degrees, this Synzen IO antenna ensures precise signal coverage.

Equipped with 2 SMA female connectors, this 2-port panel antenna comes encased in a UV-resistant ABS radome, guaranteeing reliable, all-weather performance. Plus, its convenient mounting points facilitate swift installation, making it a versatile choice for your connectivity needs.

Typical Applications

- Wi-Fi Systems
- WiMAX Technology
- 5.8GHz Wireless Systems
- IEEE 802.11a Wireless LAN
- Unlicensed European 5.4GHz Band Applications



General

Mechanical Specifications

Part Number	SZW-C-3W19
Name	IO
Dimensions	207.0 x 178.0 x 46.0 (mm)
Weight	
Antenna Type	Panel
Material	ABS

Electrical / RF Specifications*

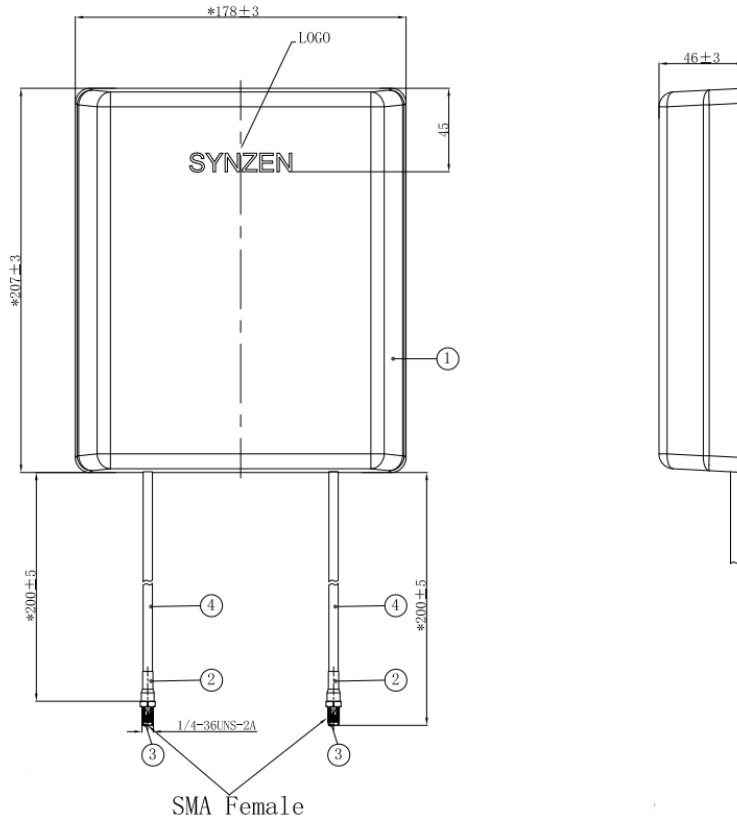
Band	Frequency Range (MHz)	VSWR	Peak Gain (dBi)	Front to Back Ratio (dB)	Impedance	Polarization
Wi-Fi	5150-5850	<2.0:1	12.0	23	50Ω	H/V

Environmental Specifications

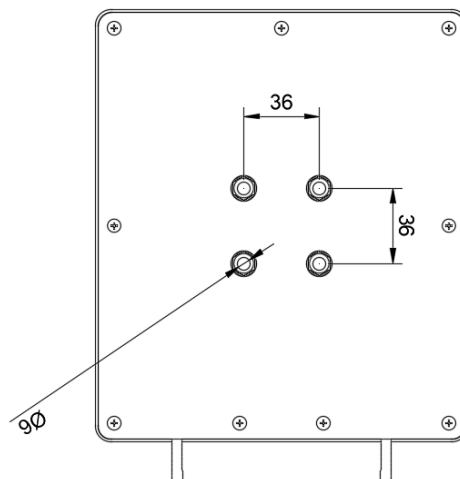
Operational Temperature	-40 to +60 (°C)
Storage Temperature	-10 to +40 (°C)
Relative Humidity	5 - 95
Moisture Sensitivity Level (MSL)	NA
RoHs & REACH compliant	Yes

Mechanical

Antenna Mechanical Drawing



4	Cable	SSF-50-3-1.5 White Cable	2
3	Connector	SMA Female, Gold Plated	2
2	Tube	Heat Shrink Tube	2
1	Antenna Cover	Plastic;Color:White	1
NO	DESCRIPTION		Q' TY





Synzen Precision Technology Ltd makes no warranties based on the accuracy or completeness of the contents of this document and reserves the right to make changes to specifications and product descriptions at any time without notice. Synzen reserves all rights to this document and the information contained herein. Reproduction use or disclosure to third parties without express permission is strictly prohibited.