



## ISM / 4G LTE Panel Mount Antenna

**SZW-N-2L26**

ISM433/868/915/LTE450/4G LTE: 433-480; 863-928; 698-960; 1710-2200; 2300-2400; 2500-2690MHz

### Description

**OBERON**, 4GLTE/ISM Panel Mount antenna for global cellular coverage. Suitable for mounting on metallic or non-metallic surfaces.

- Ground plane independent omni-directional radiation patterns.
- UV stabilized Impact resistant material.
- Single hole installation with optional screw fixing.
- Alternate cable lengths and connectors available upon request, contact [sales@synzen.com.tw](mailto:sales@synzen.com.tw)

### Applications

Automotive  
Industrial

Smart City  
Remote Monitoring

Smart home  
Remote Sensors





## General Specifications

### Mechanical Specifications

<b>Part Number</b>	SZW-N-2L26
<b>Name</b>	OBERON
<b>Dimensions</b>	130.0 x 45.0 x 27.0 (mm)
<b>Weight</b>	<10g
<b>Antenna Type</b>	Panel Mount with optional screw fixings
<b>Cable Length</b>	1.5m *
<b>Cable type</b>	RG174
<b>Connector</b>	SMA Plug
<b>Color</b>	RAL 7035
<b>Material</b>	Impact Resistance/ UV stabilized Polypropylene Copolymer

\*Alternate cable lengths available

### RF Specifications

Band	Frequency Range (MHz)	Avg Efficiency (%)	Peak Gain (dBi)	Impedance	Polarization
ISM433/LTE 450 B31,72,73	430-480	>20	-4.50	50Ω	Linear
ISM868/915	863-928	>60	2.73		
5GNR/4G LTE B5,8,12,13,14,17,18,20,26,27,28,29	698-960	>50	3.77		
5GNR/4G LTE B21,32,74,75,76	1427-1518	>50	1.29		
5GNR/4G LTE B1,2,3,4,9,23,35,39,66	1710-2200	>55	1.56		
5GNR/4G LTE B40	2300-2400	>60	3.18		
5GNR/4G LTE B7,38,41	2490-2690	>55	3.43		

### Environmental Specifications

<b>Operational Temperature</b>	-40 to +85 (°C)
<b>Storage Temperature</b>	-10 to +40 (°C)



## Band List

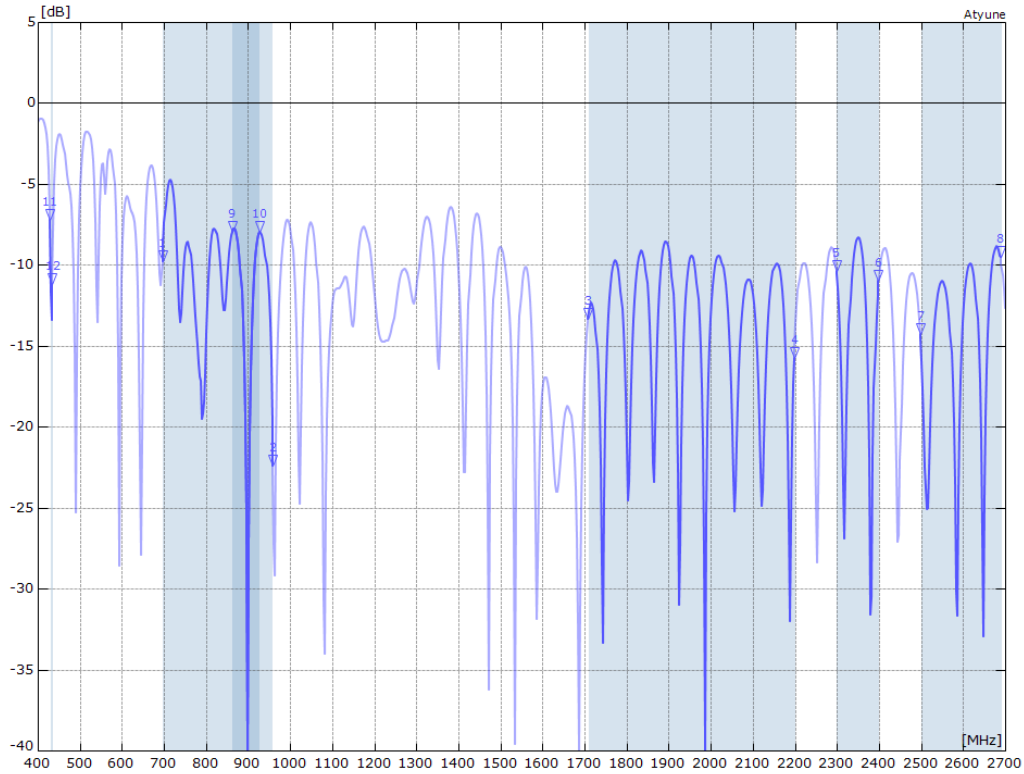
### Supported Bands

Band	Frequency Band	Uplink(MHz)	Downlink (MHz)	Supported
1	2100	1920-1980	2110-2170	YES
2	1900	1850-1910	1930-1990	YES
3	1800	1710-1785	1805-1880	YES
4	1700	1710-1755	2110-2155	YES
5	850	824-849	869-894	YES
7	2600	2500-2570	2620-2690	YES
8	900	880-915	925-960	YES
9		1749.9-1784.9	1844.9-1879.9	YES
10	1700	1710-1770	2110-2170	YES
11	1500	1427.9-1447.9	1475.9-1495.9	YES
12	700	699-716	729-746	YES
13	700	777-787	746-756	YES
14	700	788-798	758-768	YES
17	700	704-716	734-746	YES
18	850	815-830	860-875	YES
19	850	830-845	875-890	YES
20	800	832-862	791-821	YES
21	1500	1447.9-1462.9	1495.9-1510.9	YES
22	3500	3410-3490	3510-3590	YES
24	1600	1626.5-1660.5	1525-1559	No
25	1900	1850-1915	1930-1995	YES
26	850	814-849	859-894	YES
27	800	807-824	852-869	YES
28	700	703-748	758-803	YES
29	700	N/A	717-728	YES
30	2300	2305-2315	2350-2360	YES
31		452.5-457.5	462.5-467.5	YES
32	1500	N/A	1452-1496	YES
33	2100		1900-1920	YES
34	2100		2010-2025	YES
35	1900		1850-1910	YES
36	1900		1930-1990	YES
37			1910-1930	YES
38	2600		2570-2620	YES
39	1900		1880-1920	YES
40	2300		2300-2400	YES
41	2500		2496-2690	YES
42	3500		3400-3600	No
43	3700		3600-3800	No
44	700		703-803	YES
45	1500		1447-1467	YES
46	5200		5150-5925	No
47	5900		5855-5925	No
48	3600		3550-3700	No
50	1500		1430-1517	YES
51	1500		1427-1432	YES
65	2100	1920-2010	2110-2200	YES
66	1700	1710-1780	2110-2200	YES
67	700	N/A	738-758	YES
68	700	698-728	753-783	YES
69	2600	N/A	2570-2620	YES
70	2000	1695-1710	1995-2020	YES
71		663-698	617-652	YES
72		451 - 456	461 - 466	YES
73		450 - 455	460 - 465	YES
74			1427-1518	YES
77			3300-4200	No
78			3300-3800	No
79			4400-5000	No
85		698-716	728-746	YES

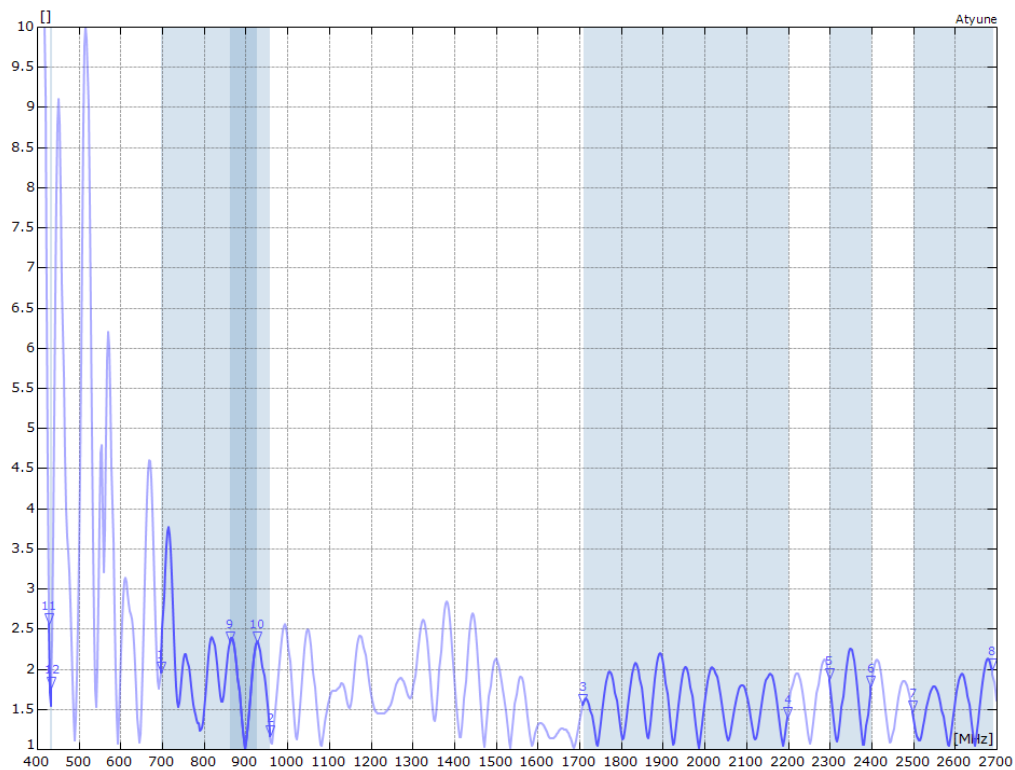


## RF Characteristics

### S11 Parameter



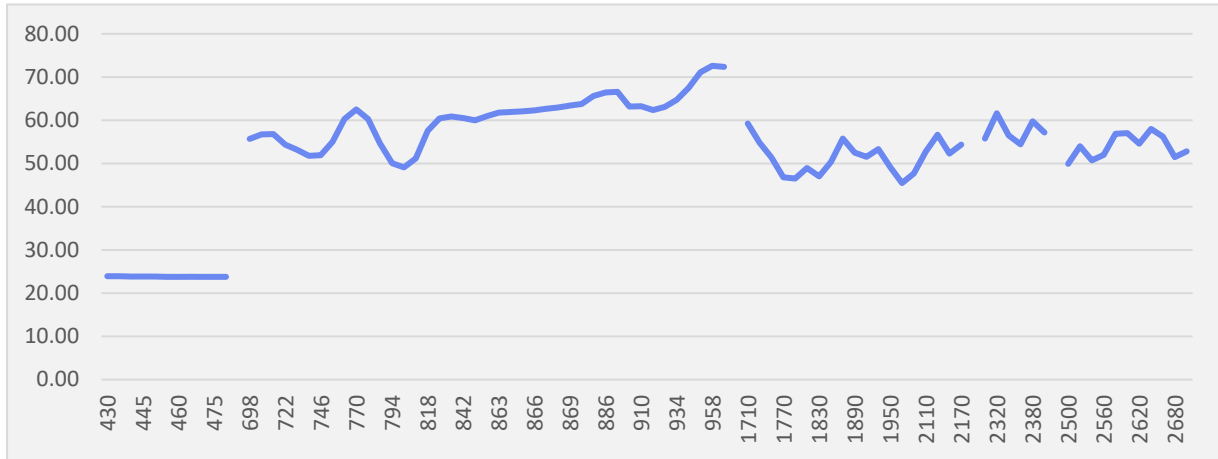
### VSWR



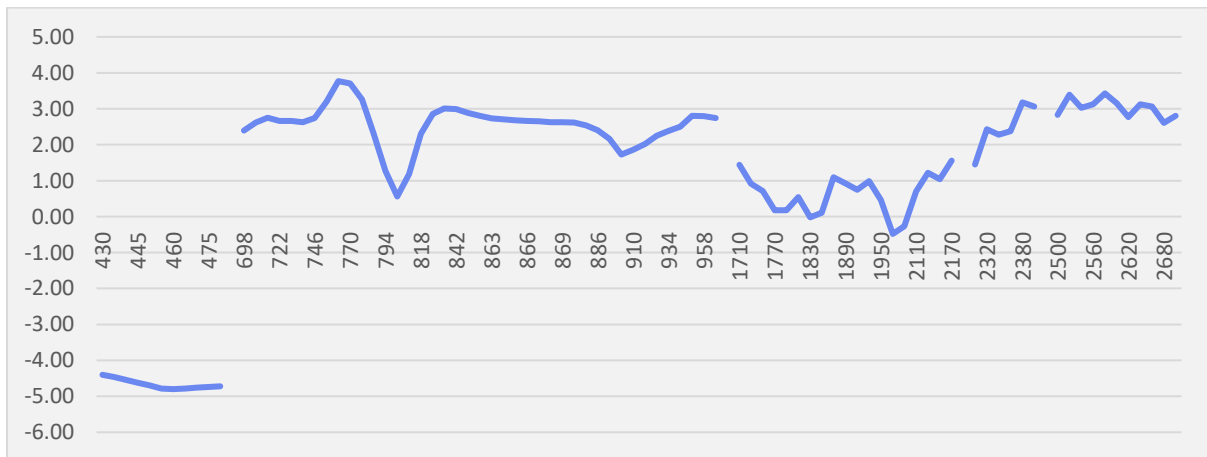


## Antenna Performance

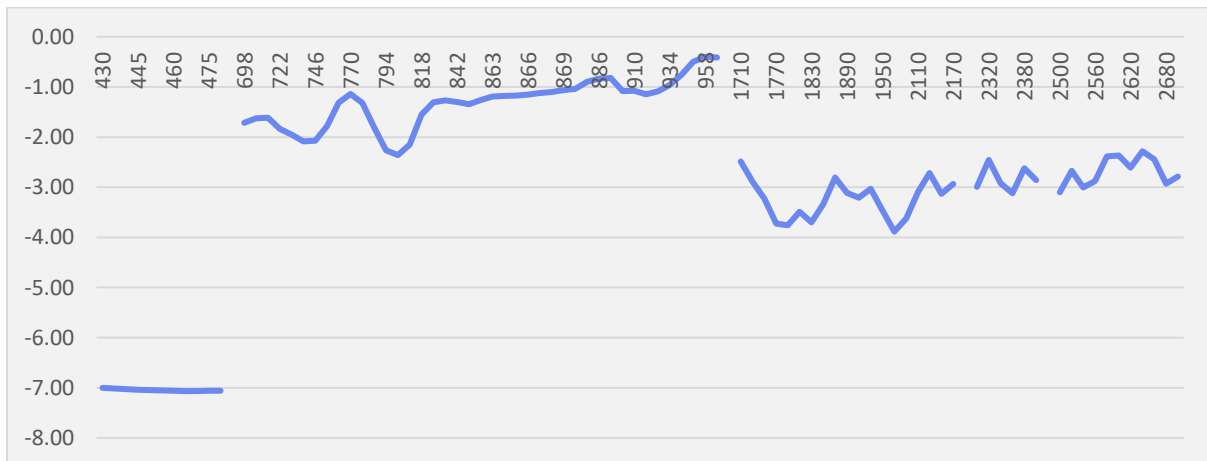
### Efficiency



### Peak Gain



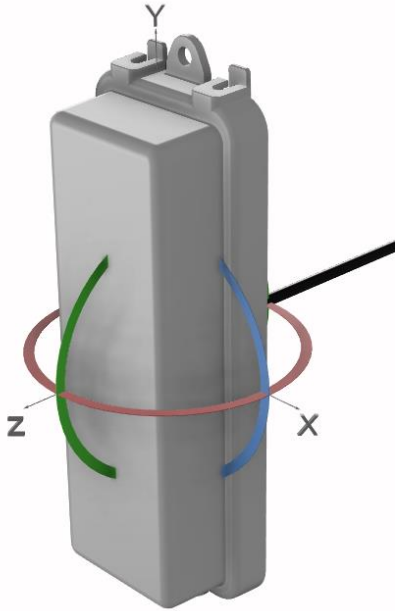
### Average Gain



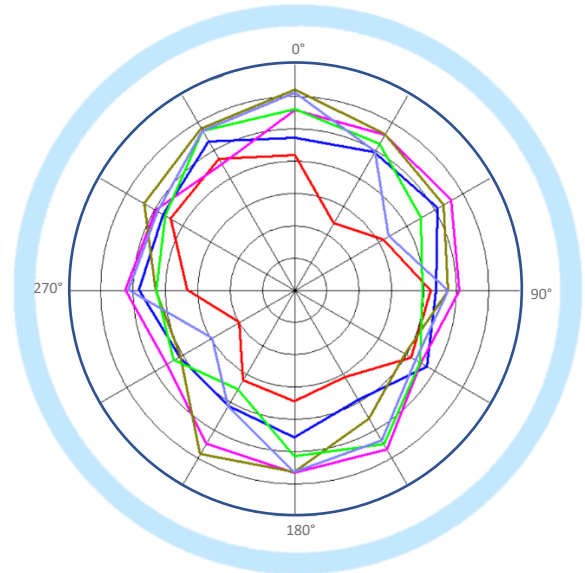


# Radiated Performance

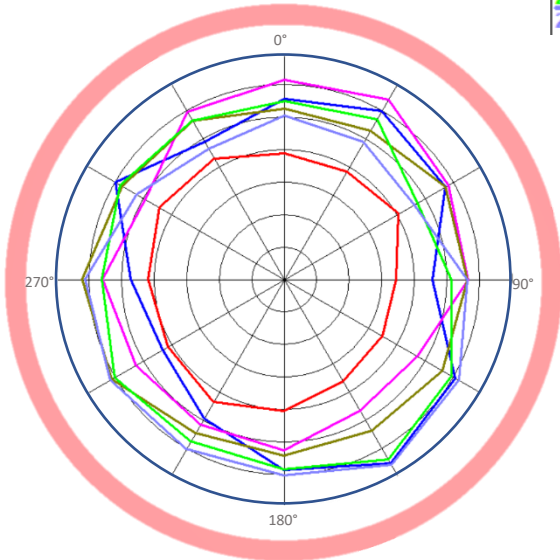
## 2D Polar Plot 698-2690MHz



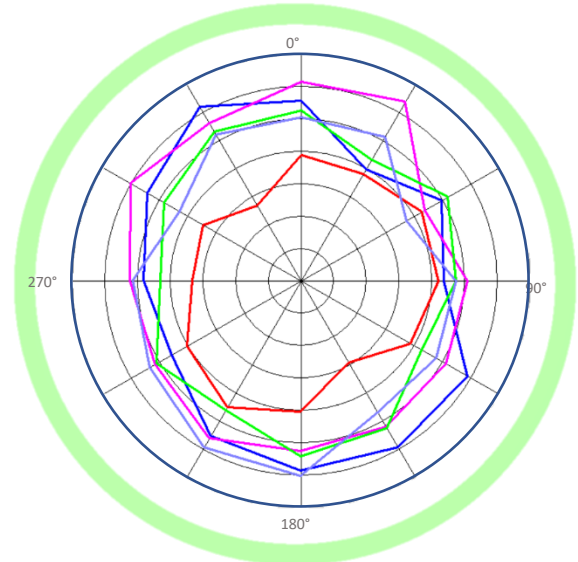
XY



XZ



YZ



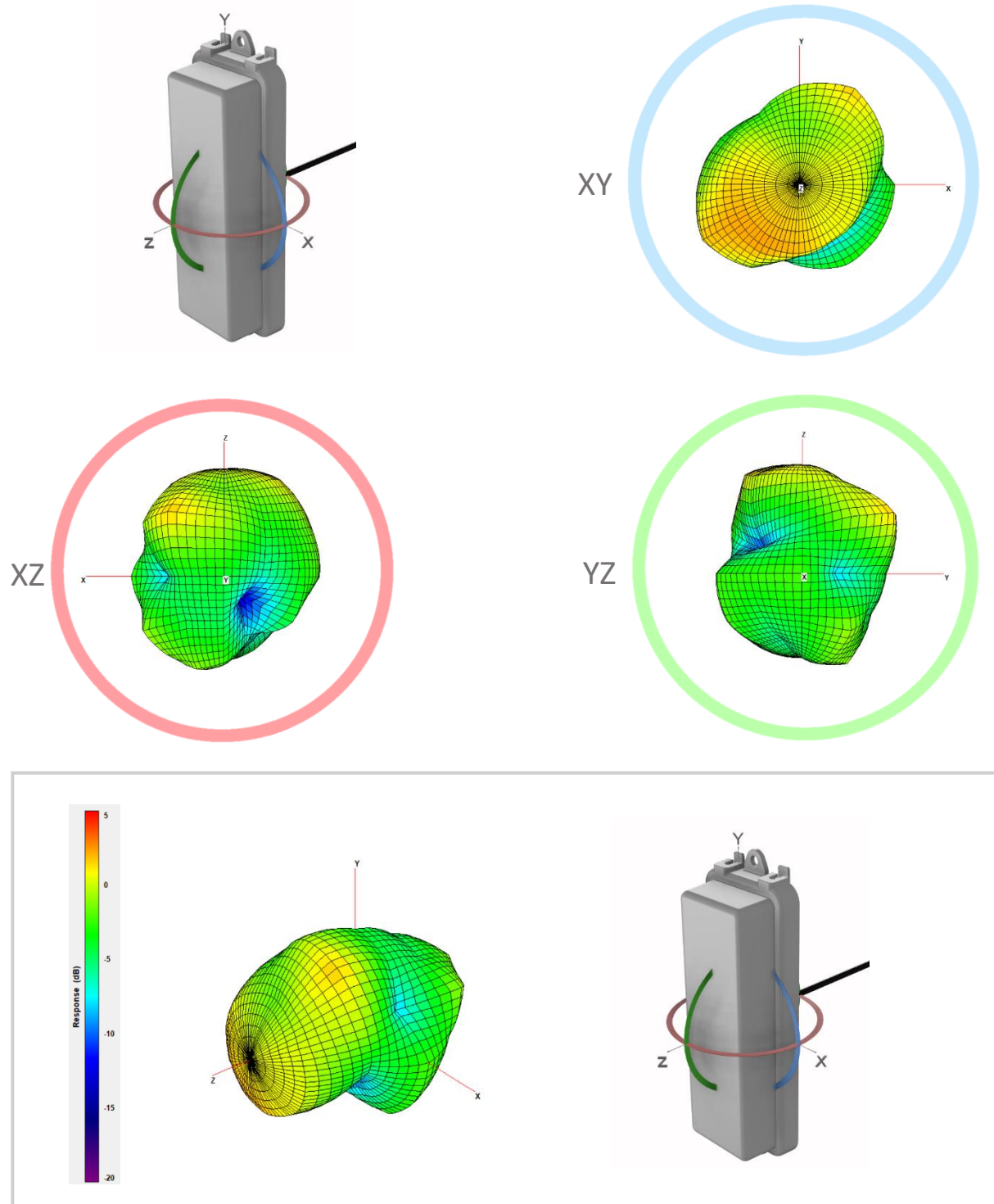
433	Max: 5
714	Min: -30
870	Scale: 5/div
1870	
2360	
2600	



## Radiated Performance

### 3D Radiation Pattern at 880MHz

The frequency point shown here is 880MHz.

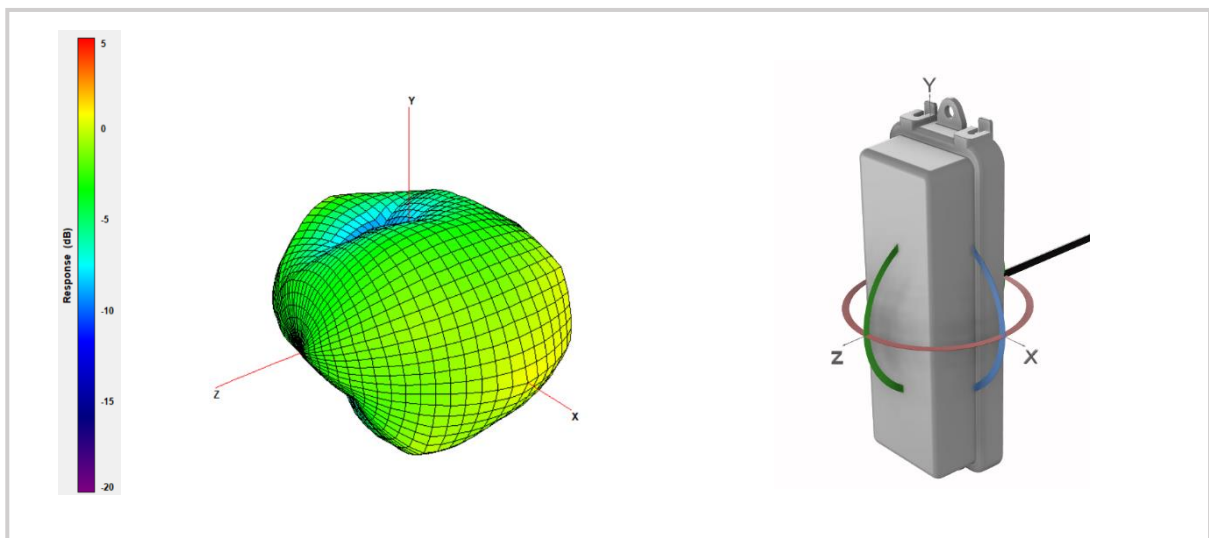
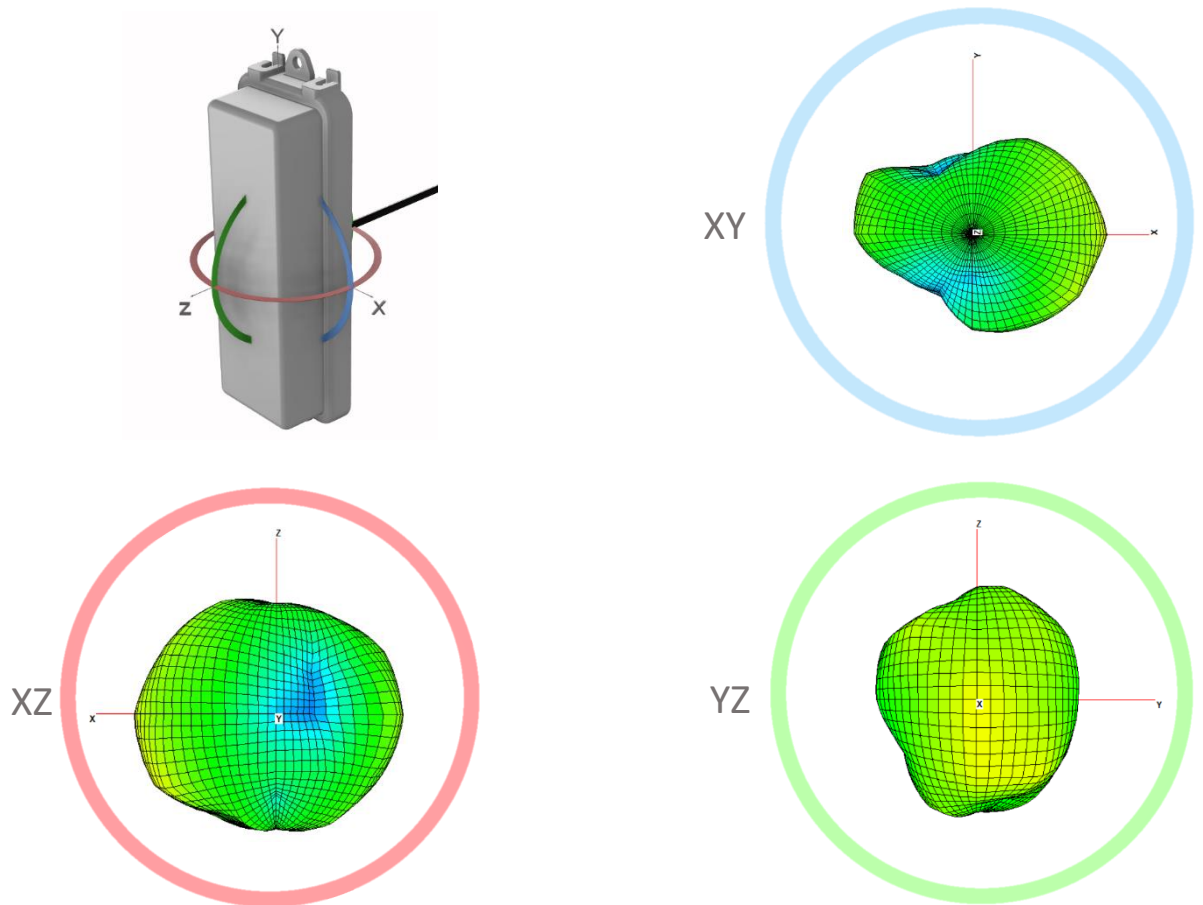




## Radiated Performance

### 3D Radiation Pattern at 1880MHz

The frequency point shown here is 1880MHz.

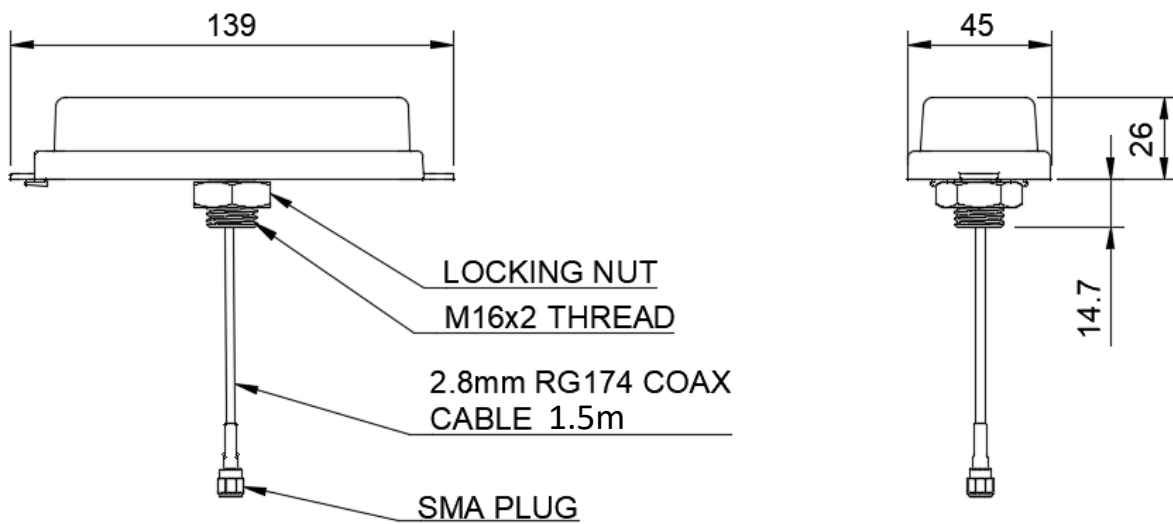
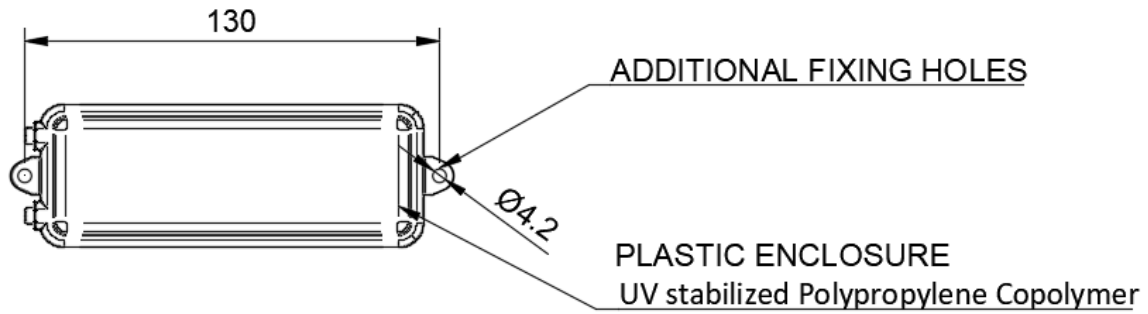






## Mechanical

### Antenna Mechanical Drawing



ALL DIMENSIONS IN MM



## Packaging

### Bag and Packaging Information

Antennas packed in PE bag (1 per bag)

Small bag dimensions: 28.5 x 9.5 (cm)

100pcs per larger PE bag with product label

Bag dimensions = 30 x 19 (cm)



Part Number: SZW-N-2L26



Description : 4G LTE / ISM Panel Mount Antenna

Name: OBERON

Quantity: 100

Date Code: YYWW

A3, 4F, No. 58, Zhouzi St,  
Neihu Dist., Taipei City, 11493,  
Taiwan

Tel: +886 (02) 2659 8030  
[www.synzen.com.tw](http://www.synzen.com.tw)

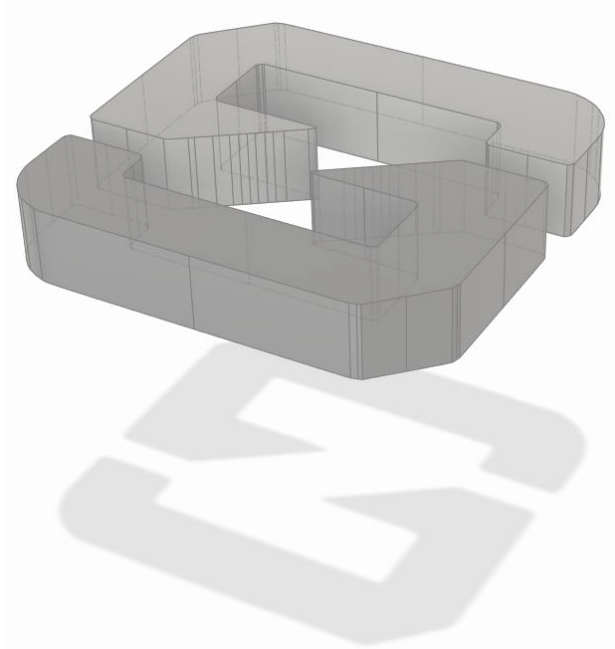
1. 100pcs per carton



## **Environmental**

### **Material Regulation**

The antenna has been tested to conform to RoHS requirements. A certificate of conformance is available upon request.



Synzen Precision Technology Ltd makes no warranties based on the accuracy or completeness of the contents of this document and reserves the right to make changes to specifications and product descriptions at any time without notice. Synzen reserves all rights to this document and the information contained herein. Reproduction use or disclosure to third parties without express permission is strictly prohibited.