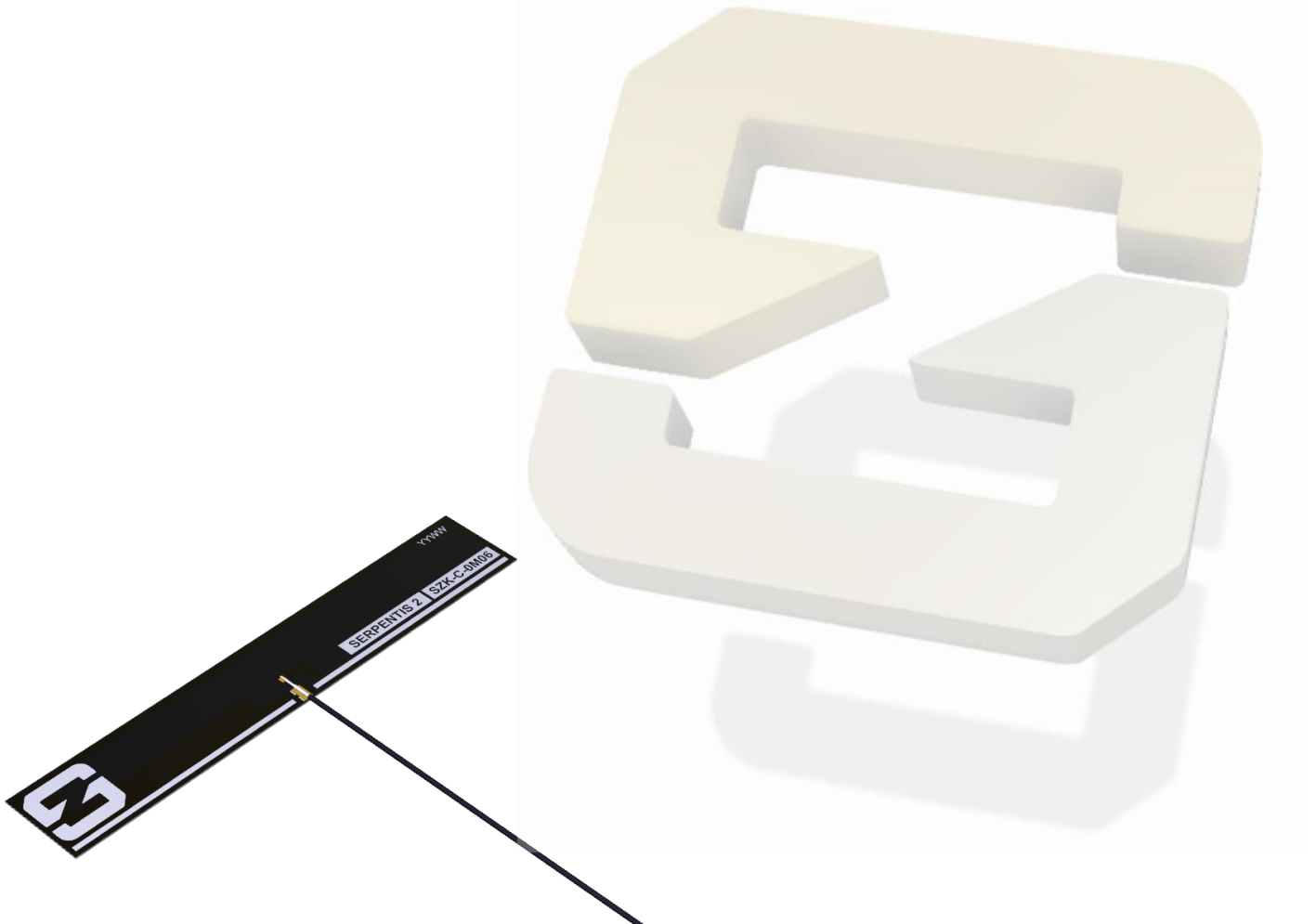




433MHz ISM/LPWA/LTE FPC Antenna

SZK-C-0M06

Frequency Range: 410-427; 430-435 MHz



Name: SERPENTIS 2

Part Number: SZK-C-0M06

Description: 433MHz FPC with cable and connector IPEX MHFI (U.FL)

- Also supports LTE bands 87/88
- Flexible PCB Antenna using 3M 468 adhesive
- Dimensions: 88.0 x 15.0 x 0.2 (mm)
- Cable: 180mm length, 1.13mm diameter



433MHz ISM/LPWA/LTE FPC Antenna

SZK-C-0L05

Frequency Range: 410-427; 430-435 MHz

Description

A Flexible antenna for Sub-1 GHz and low power wide-area (LPWA) applications including LoRaWAN®. The 433-FPC also performs well in LTE cellular bands 87/88. High performance with an ultra-small form factor for simple integration.

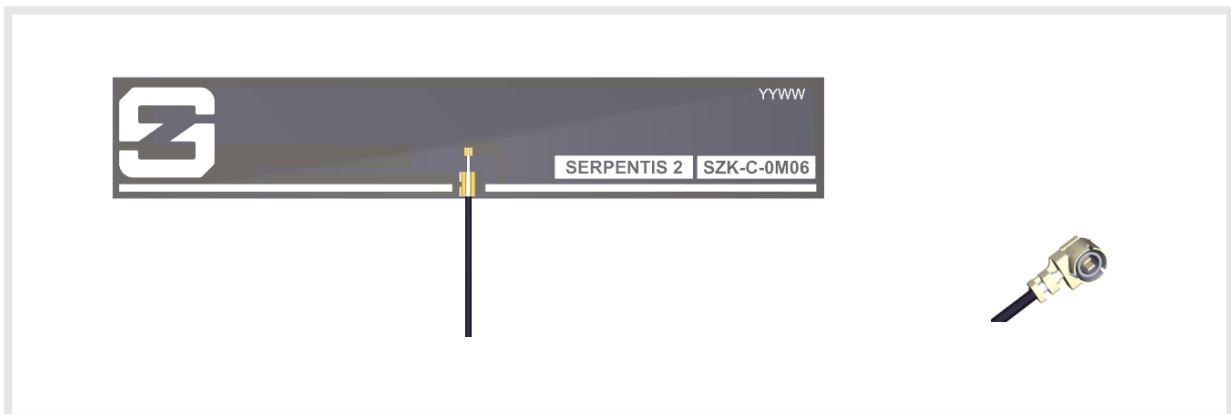
- Ultra-small sub-GHz FPC Antenna at only 88.0 x 15.0 (mm)
- Sub 1GHz for LTE bands 87/88
- Simple integration, plug and operate the device without designing onboard antenna.
- Can be tuned for various environments and plastic thickness with additional Pi network, free tuning service available.
- Alternate cable lengths and connectors available upon request
- sales@synzen.com.tw

Applications

Industrial/Scientific/Medical
Remote Control

M2M Industrial
Remote Monitoring

Smart Meters
Remote Sensing





General Specifications

Mechanical Specifications

Part Number	SZK-C-0M06
Name	SERPENTIS 2
Dimensions	88.0 x 15.0 x 0.2 (mm)
Weight	<2g
Antenna Type	FPC + Cable
Cable Length	180mm, Black
Cable Type	Mini Coax \varnothing 1.13mm
Connector	MHFI (U.FL Compatible)
Adhesive backing	3M 468

RF Specifications

Frequency Range (MHz)	410-427	430-435
Average Efficiency (Linear)	>30%	>40%
Peak Gain (dBi)	-3.5	-3.00
S11 (max) dB	<-5.5	<-10.0
VSWR (max)	3.30:1	1.90:1
Impedance	50 Ω	
Polarization	Linear	
Max Input Power	5W	

Note: All performance stated is measured 2.0mm ABS plastic, RF chokes used to prevent cable radiation.

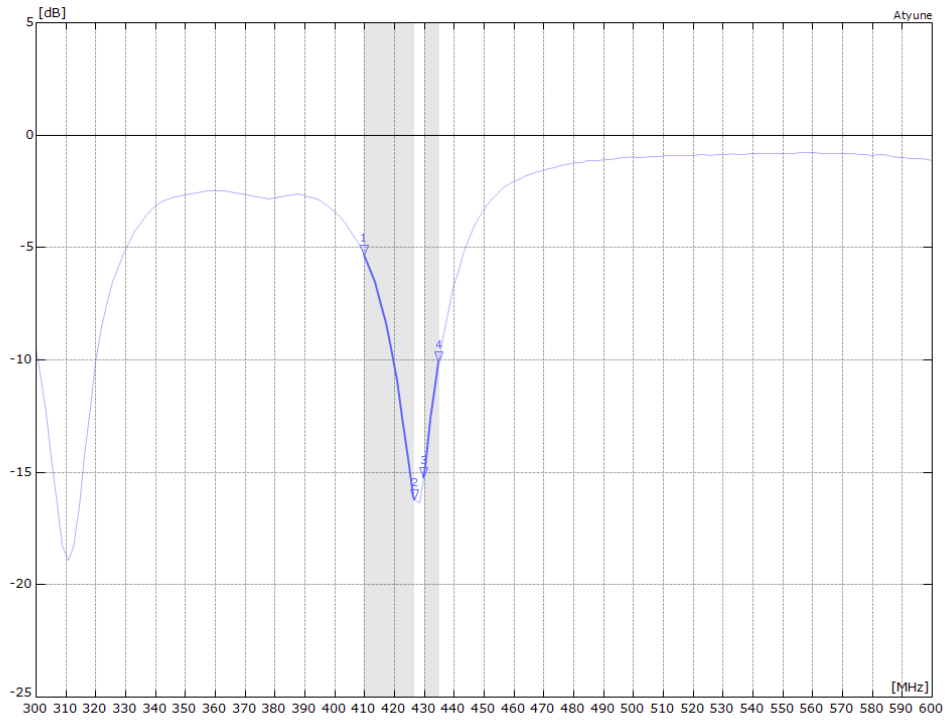
Environmental Specifications

Operational Temperature	-40 to +85 (°C)
Storage Temperature	-10 to +40 (°C)
Relative Humidity	\leq 75%

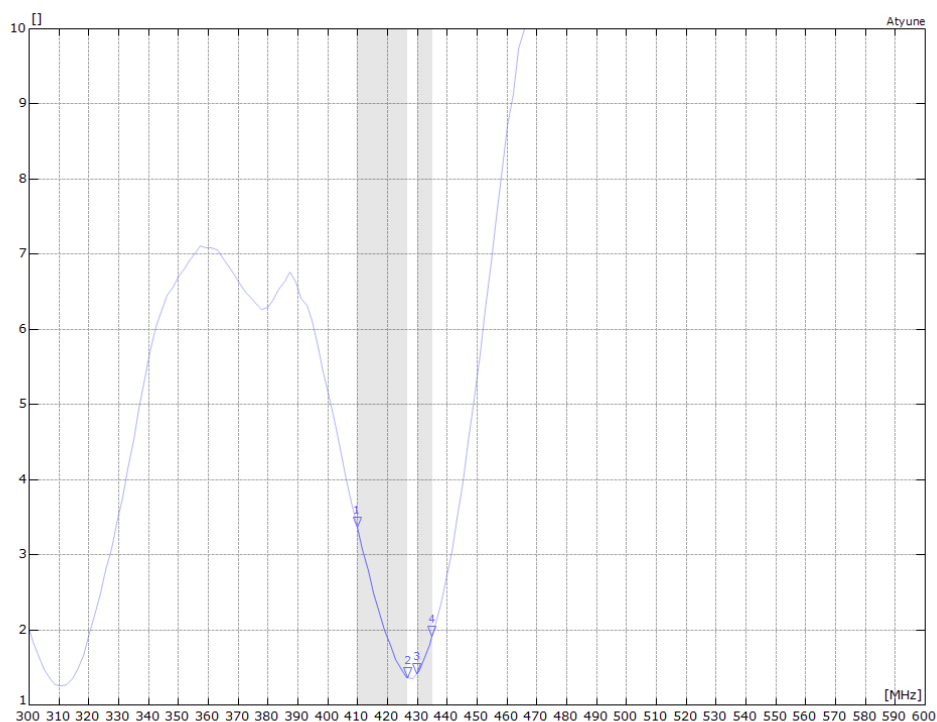


RF Characteristics

S11 Parameter



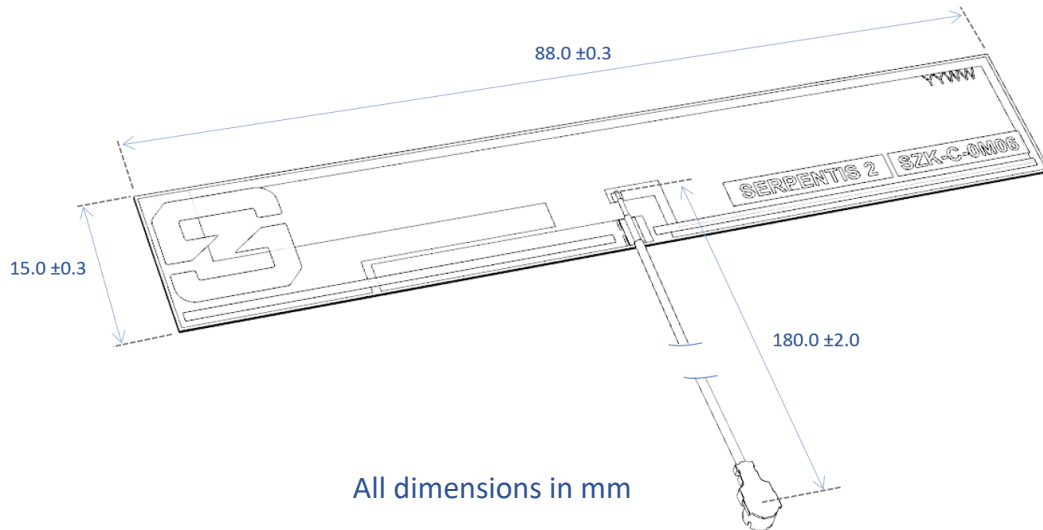
VSWR



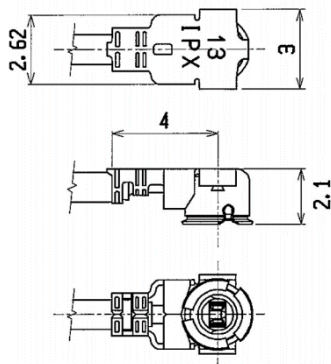


Mechanical

Antenna Mechanical Drawing



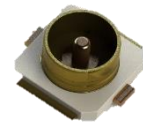
The plug connector on the antenna is an IPEX MHFI.



Suitable PCB mating connector (U.FL) example

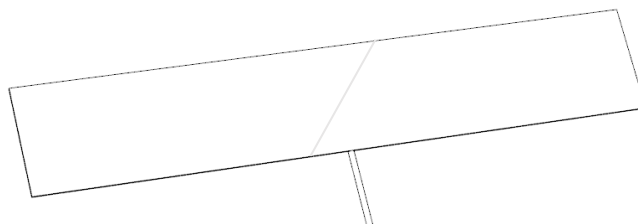
Joymax: Model: CT-MPB01X

www.joymax.com.tw



Adhesive Backing

The antenna comes with 3M 468 adhesive backing upon a PI Kapton substrate. An easy peel cut is on the back side for easy cover removal.

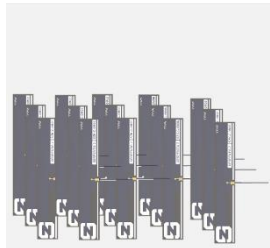


Packaging

Bag and Packaging Information



Antennas packed in PE bag (20 antenna per bag)

Small bag dimensions: 9.5 x 28.5 (cm)



100pcs per larger bag with product label

Bag dimensions = 19 x 30 (cm)

		SYNZEN	
		SYNZEN PRECISION TECHNOLOGY	
Part Number:	SZP-C-0M06		
Description :	ISM433/LPWA FPC Antenna		
Name:	SERPENTIS 2	<small>A3, 4F, No. 58, Zhouzi St, Neihu Dist., Taipei City, 11493, Taiwan Tel: +886 (02) 2659 8030 www.synzen.com.tw</small>	
Quantity:	1000		
Date code:	YYWW		

Label

- 1000pcs per carton
- Carton dimensions = 33.7 x 32.2 x 10 (cm)



Environmental

Material Regulation

The antenna has been tested to conform to RoHS requirements. A certificate of conformance is available upon request.



Synzen Precision Technology Ltd



Synzen Precision Technology Ltd makes no warranties based on the accuracy or completeness of the contents of this document and reserves the right to make changes to specifications and product descriptions at any time without notice. Synzen reserves all rights to this document and the information contained herein. Reproduction use or disclosure to third parties without express permission is strictly prohibited.

www.synzen.com.tw



Synzen, 4F, No.58, Zhouzi St,
Neihu Dist., Taipei City, Taipei,
11493.

Contact: Sales@synzen.com.tw